

OCONEE ECONOMIC ALLIANCE GATEWAY SIGNAGE

OCONEE COUNTY, SOUTH CAROLINA

DRAWING INDEX:

ARCHITECTURAL

- A-1 GENERAL INFORMATION
- A-2 SIGNAGE LOCATIONS
- A-3 SIGN 'A'
- A-4 SIGN 'B' & 'C'

STRUCTURAL

- S0.0 GENERAL NOTES
- S1.0 STRUCTURAL PLANS
- S2.0 DETAILS & SECTIONS

GENERAL NOTES:

NOTE TO CONTRACTORS:

AT THE TIME OF THE BID, PROVIDE IN WRITING ALL EXCLUSIONS, EXCEPTIONS AND DEVIATIONS FROM THE REQUIREMENTS OF THE DRAWINGS AND TEXT OF THE CONTRACT DOCUMENTS. BEYOND THESE ITEMS, THE CONTRACTOR CONFIRMS THAT ANY AND ALL WORK, WHETHER SHOWN OR REASONABLY IMPLIED THAT IS REQUIRED TO DELIVER A COMPLETED PROJECT, AS DEFINED AND DETERMINED SOLELY BY THE ARCHITECT, IS INCLUDED IN THE BID AMOUNT. NO CHANGES TO THE WORK WILL BE PERMITTED WITHOUT WRITTEN APPROVAL FROM THE ARCHITECT.

CEDAR SHAKE SHINGLES

- ALL WORK TO CONFORM TO MARCH 2015 EDITION OF SPECIFICATIONS OF CEDAR SHAKE & SHINGLE BUREAU
- WWW.CEDARBUREAU.ORG/INSTALLATION-AND-MAINTENANCE/ROOF-MANUAL/
- 'CERTI-SPLIT' HANDSPLIT SHAKES - NUMBER 1 GRADE WITH 'CERTI-LAST' PRESSURE TREATMENT
- 18" SHAKES X 7 1/2" EXPOSURE, MAX.
- PROJECT BUTTS AT EAVES 1 1/2" AND 1" AT RAKE
- SPACE SHAKES NOT LESS THAN 3/8" OR MORE THAN 5/8"
- INSTALL OVER ROOF FELTS AS DIRECTED BY CEDAR BUREAU FOR 'ROOFING FELT INTERLAY'
- SHAKES SHALL BE NAILED (NOT STAPLED) ONLY WITH TYPE 316 STAINLESS STEEL 6D BOX 2
- 2 NAILS PER SHINGLE PER CEDAR BUREAU INSTRUCTIONS

TIMBERS, BEAMS & RAFTERS

- WESTERN RED CEDAR NUMBER 2 AND BETTER STRUCTURAL SOLID SAWN IN NOMINAL SIZES SHOWN
- FINISH: OIL BASED CEDAR PENETRATING STAIN & SEALER
- ALL WOOD CONNECTORS SHALL BE GALVANIZED & POWDER COATED STEEL (FLAT BLACK) IN DIMENSIONS TO FIT THE CONNECTED MEMBERS. SEE STRUCTURAL.
- ALL BOLTS, FASTENERS & NAILS SHALL BE STAINLESS STEEL

ROOF DECK

- COMMERCIAL QUALITY 5/4" X 6" STAINABLE PRESSURE TREATED SOUTHERN PINE
- 15% MAX. MOISTURE CONTENT
- FINISH: OIL BASED CEDAR PENETRATING STAIN & SEALER
- ALL WORK TO COMPLY WITH AMERICAN INSTITUTE OF TIMBER CONSTRUCTION AITC-112-93
- PROVIDE 1 1/2" T-STYLE ALUMINUM ROOF EDGE AT EAVES & RAKES SIMILAR TO QUALITY EDGE TE019 WITH Q800 TUFF-TECH FINISH - COLOR BY ARCHITECT.

STONE PRODUCTS

- NATURAL FIELD STONE TO REASONABLY MATCH TEXTURE, COLOR AND SIZING OF STONES SHOWN IN EXISTING PARK SHELTER PHOTOS. THE USE OF SYNTHETIC OR MANUFACTURED STONE IS SPECIFICALLY PROHIBITED. CONTRACTOR SHALL PROVIDE REPRESENTATIVE MOCK UP FOR ARCHITECT AND OWNER APPROVAL OF MATERIALS. POSSIBLE MATCH (TO BE VERIFIED) 'DOGGETT STONE' @ YODERS BUILDING SUPPLY IN FAIR PLAY, SC.
- MORTAR: TYPE S - COLOR TO MATCH REFERENCED PARK SHELTER. US RECESSED JOINT
- STONE COLUMNS SHALL TAPER REASONABLY CLOSE TO DIMENSIONS SHOWN. THE MASON SHALL MAKE EVERY EFFORT TO PROVIDE SHARP & REGULAR OUTSIDE CORNERS AND FLAT FACES. THE REFERENCED PARK SHELTER WILL SERVE AS THE APPROVED EXAMPLE.

GRADING/LANDSCAPING

- ALL 3 SIGNS WILL SIT ON IRREGULAR GRADES. THE CONTRACTOR SHALL MAKE ADJUSTMENTS TO THE BOTTOM ELEVATION OF THE INDIVIDUAL STONE PIERS TO PROVIDE FOR A HORIZONTALLY LEVEL SIGN & ROOF STRUCTURE. TOTAL LENGTH OF THE STONE PIERS AND RELATIVE ELEVATION OF THE 2 FOOTINGS MAY VARY ON A GIVEN SIGN. FIELD VERIFY EXISTING CONDITIONS. IN ALL CASES, THE BOTTOM OF THE SIGN SHALL BE NO LESS THAN 26" ABOVE THE HIGHEST EXISTING GRADE.
- FINE GRADING WILL BE REQUIRED TO LEVEL THE PLANTING BEDS AROUND THE STONE PIERS TO CREATE THE ILLUSION OF EQUAL LENGTH PIERS. SEE #3 & #4 ON SHEETS A-3 & A-4.
- CONTRACTOR SHALL SEED THE DEFINED PLANTING AREA & ADJACENT AREAS DISTURBED BY THIS WORK. SEED MIX TO BE DETERMINED.
- OWNER SHALL FURNISH & INSTALL ALL OTHER PLANT MATERIALS.

GENERAL NOTES CONT.:

ELECTRICAL/LIGHTING

- EC TO PROVIDE UP-LIGHTING FOR SIGNAGE AT EACH SITE THAT WILL SUFFICIENTLY LIGHT THE ENTIRE SIGN ON ONE SIDE. ONE LIGHT PER SIGN. LIGHT FIXTURE SHALL BE THE HUBBELL ALF12LU-5K-BZ OR EQUAL.
- EC TO PROVIDE A COST FOR THE ADDITION OF THE PURCHASE AND INSTALLATION OF LED EXTERIOR DECORATIVE PENDANT LIGHT FOR SIGNAGE 'OPTION A'. EC TO INCLUDE IN THEIR QUOTE AN ALLOWANCE OF \$360.00 FOR THE PURCHASE OF THE FIXTURE. THE FIXTURE RATING SHALL NOT EXCEED 7 WATTS. FIXTURE WILL NEED TO BE APPROVED BY OWNER BEFORE PURCHASE. USE THE FEISS CHELSEA HARBOR AS A BASIS FOR DESIGN. FIXTURE TO BE ANCHORED TO STRUCTURE BY COLOR MATCHING CHAINS.
- EC TO PROVIDE A TIME CLOCK AND PHOTOCELL COMBINED CONTROL SYSTEM. THE LIGHTING WILL BE MADE ACTIVE AT DUSK WITH THE PHOTOCELL. THE LIGHTING WILL BE MADE INACTIVE AT 1:00AM USING THE TIME CLOCK. TIME CLOCK SHALL BE AN INTERMATIC GM40 OR EQUAL.
- EC TO PROVIDE A FREESTANDING SOLAR POWER SYSTEM PER SITE. SYSTEM TO INCLUDE, BUT NOT LIMITED TO: A SOLAR PANEL, BATTERIES, CHARGER, CONTROL PANEL, INVERTER, ELECTRICAL DISTRIBUTION PANEL, ALL HARDWARE FOR WIRING AND MOUNTING ALL EQUIPMENT LISTED. THE CONTRACTOR WILL BE RESPONSIBLE FOR VERIFYING AND INSURING THAT THE SYSTEM WILL OPERATE THE REQUIRED LIGHTING AT EACH SITE FOR NO LESS THAN 8 HOURS A DAY, 365 DAYS A YEAR. EC TO INSTALL BASED ON MANUFACTURER'S SPECIFICATIONS TO MEET ALL WEIGHT AND WIND LOAD REQUIREMENTS. IF THE MANUFACTURER CANNOT PROVIDE THESE SPECIFICATIONS TO THE EC, THE EC IS EXPECTED TO RETAIN THE SERVICES OF A LICENSED ENGINEER TO PROVIDE MINIMUM REQUIREMENTS FOR POLE DIAMETER SIZE, WALL THICKNESS, TYPE OF METAL USED IN MANUFACTURE OF THE POLE, MAX POLE HEIGHT, DEPTH OF POLE BASE BURIAL AND CONCRETE ENCASEMENT. ALL EQUIPMENT ENCLOSURES TO BE LOCKABLE AT MINIMUM BY THE USE OF A PADLOCK. ALL EQUIPMENT MUST BE RATED FOR OUTDOOR USE, NEMA 3R AT MINIMUM. SYSTEM SHALL CARRY A 10 YEAR WARRANTY ON THE PHOTOVOLTAIC MODULES. 1 YEAR WARRANTY ON BATTERIES, CONTROLLERS, LIGHTING AND INSTALLATION.
- ALL WIRING INSTALLED UNDERGROUND SHALL BE INSTALLED IN SCH40 PVC CONDUIT.
- ALL WIRING EXPOSED UNDER 5' FROM GRADE TO BE INSTALLED IN GRC CONDUIT.
- ALL WIRING EXPOSED ABOVE 5' CAN BE INSTALLED USING EMT WITH COMPRESSION FITTINGS WHICH ARE LISTED RAINTIGHT BY THE MANUFACTURER.
- ALL CONDUCTORS TO BE COPPER AND LISTED FOR THE USE.
- THE ELECTRICAL INSTALLATION TO MEET ALL REQUIREMENTS OF THE 2014 NEC.
- ELECTRICAL CONTRACTOR SHALL BE LICENSED IN THE STATE OF SOUTH CAROLINA AND CARRY ALL REQUIRED INSURANCES.
- CONDUIT FOR STRUCTURE LIGHT FIXTURE SHALL BE CONCEALED FROM VIEW TO THE EXTENT POSSIBLE. PAINT CONDUIT & HARDWARE TO MATCH WOOD STAINS.

SIGNAGE - BASE BID: BLASTED/ROUTED PANEL SIGN

- 2" THICK EXTRA, ROUTED AND SAND BLASTED PER DRAWING PROVIDED
 - BACKGROUND TO BE PAINTED MATHEWS PAINT MP 02833 TO MATCH PMS 7532 / C:52 M:58 Y:72 K:39
 - OCONEE COUNTY TEXT AND SOUTH CAROLINA SUB-TEXT TO BE PAINTED WITH MATHEWS PAINT TO MATCH C:9 M:6 Y:37 K:0
 - OCONEE COUNTY LOGO / SEAL TO BE DIRECT TO SUBSTRATE PRINTED ON 6MM ALPOLIC PANEL WITH LIQUID LAMINATE APPLIED
 - 2" WIDE 1/2" THICK BLACK POWDER COATED STEEL BANDING TO BE THROUGH BOLTED AROUND PERIMETER OF SIGN FOR STRENGTH AND RIGIDITY.
 - SIGN CONNECTIONS TO BE ENGINEERED TO ASCE 7-10 STANDARDS. ENGINEERING AND FABRICATION TO REQUIRED SPECIFICATIONS SHALL BE THE RESPONSIBILITY OF THE SIGN CONTRACTOR
 - PERMIT TO BE PROVIDED BY SIGN CONTRACTOR
 - NO DEVIATIONS FROM SPECIFICATIONS ALLOWED
 - SUBMIT SIGN COLOR AND ALL TEXTURE SAMPLES FOR ARCHITECT'S APPROVAL

SIGNAGE - ALTERNATE BID #1: ALUMINUM PANEL

- 4" DEEP ARCHITECTURAL ALUMINUM CABINET PER DRAWING PROVIDED
 - 1/8" WALL ALUMINUM TUBE CONSTRUCTION WITH .080 ALUMINUM FACES
 - SEAMLESS WELD CONSTRUCTION
 - PAINTED MATHEWS PAINT MP 02833 TO MATCH PMS 7532 / C:52 M:58 Y:72 K:39
 - DIGITALLY PRINTED CONTOUR CUT GRAPHICS FOR MAIN AND SUB-TEXT APPLIED TO BOTH SIDES. GRAPHICS TO BE PRINTED ON ORACAL 3165 RA VINYL AND LAMINATED WITH ORACAL 710M LAMINATE
 - OCONEE COUNTY LOGO / SEAL TO BE DIRECT TO SUBSTRATE PRINTED ON 6MM ALPOLIC PANEL WITH LIQUID LAMINATE APPLIED
 - SIGN CONNECTIONS TO BE ENGINEERED TO ASCE 7-10 STANDARDS. ENGINEERING AND FABRICATION TO REQUIRED SPECIFICATIONS SHALL BE THE RESPONSIBILITY OF THE SIGN CONTRACTOR. COORDINATE HARDWARE INSTALLATION REQUIREMENTS WITH THE MASON. SIGN HARDWARE SHALL BE FINISHED BLACK TO MATCH WOOD CONNECTORS.
 - PERMIT TO BE PROVIDED BY SIGN CONTRACTOR
 - NO DEVIATIONS FROM SPECIFICATIONS ALLOWED
 - SUBMIT SIGN COLOR AND ALL TEXTURE SAMPLES FOR ARCHITECT'S APPROVAL.



FOR CONCEPTUAL REFERENCE ONLY
DIMENSIONS & COMPONENTS VARY
FROM FINAL DESIGN
FOLLOW PLANS & SECTIONS FOR
ACTUAL CONSTRUCTION

1 SIGN 'A'
VIEW OF MODEL
N.T.S.



2 SIGN 'B' & 'C'
VIEW OF MODEL
N.T.S.



Photo from
'Oconee State Park'

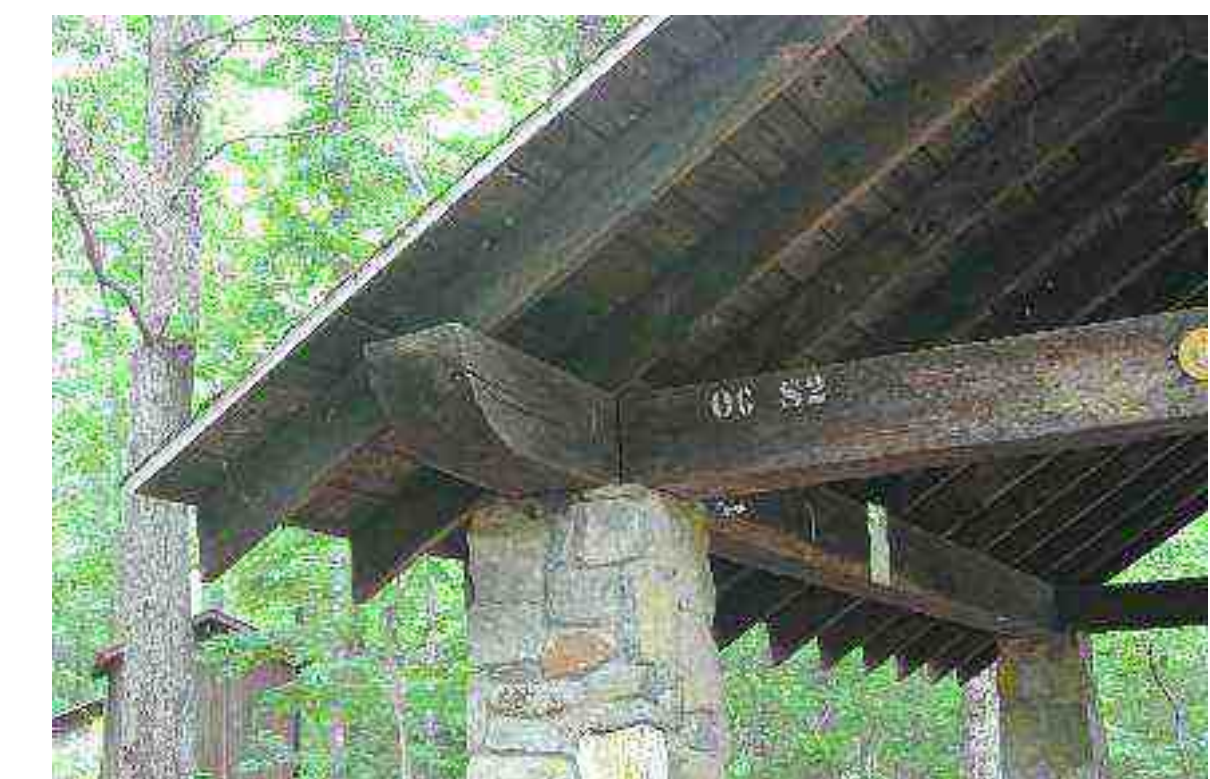


Photo from
'Oconee State Park'

3 BASIS OF DESIGN CONCEPT
N.T.S.



CHRISTINE TEDESCO, RA, NCARB
1376 TIGER BLVD, SUITE 114
CLEMSON, SC 29631
864.303.8158



GENERAL
INFORMATION

OCONEE ECONOMIC ALLIANCE
GATEWAY SIGNAGE
OCONEE COUNTY, SOUTH CAROLINA

A-1

ISSUED FOR
CONSTRUCTION
JULY 25, 2016

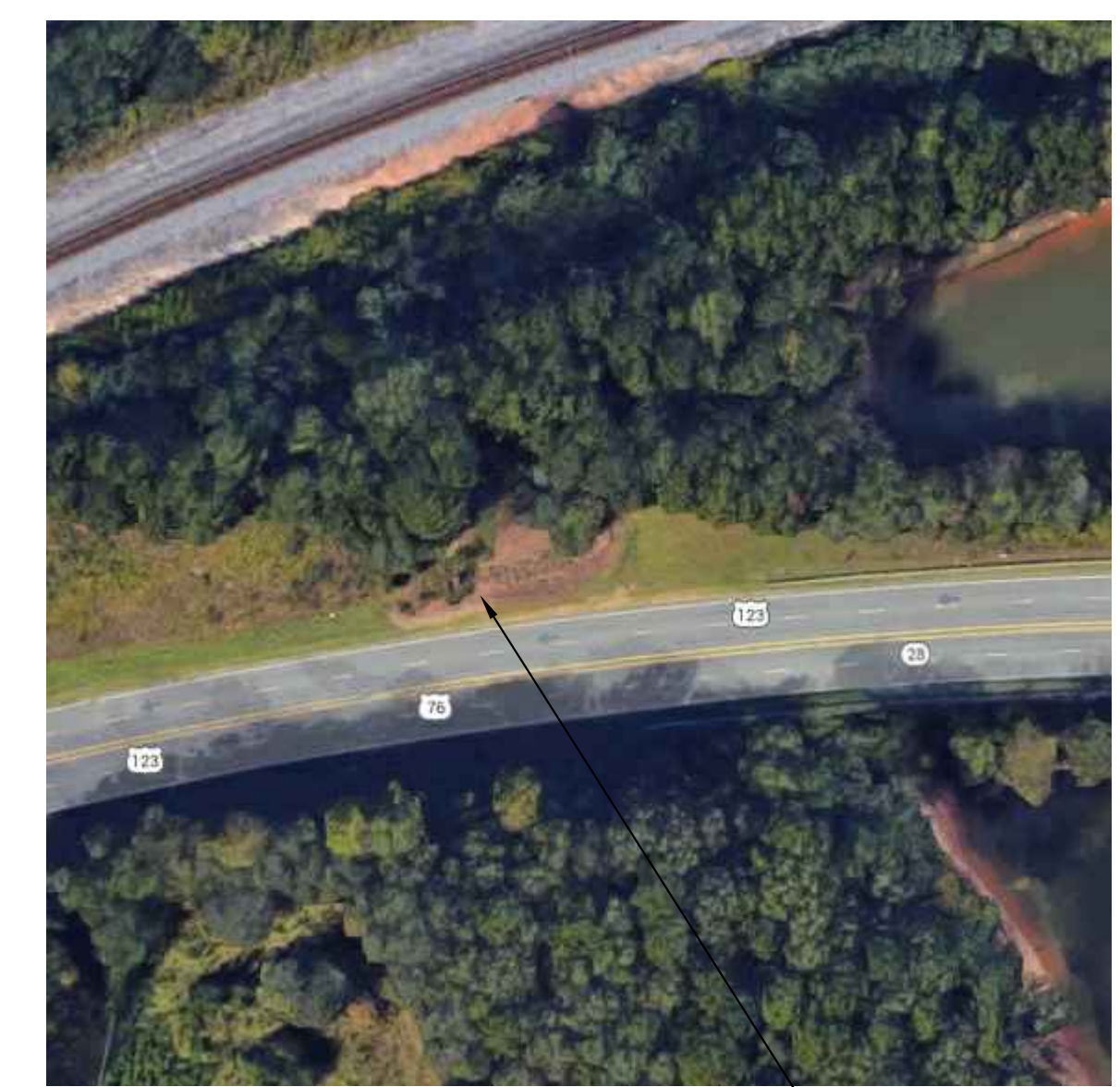
THIS DRAWING IS AN INSTRUMENT OF SERVICE AND SHALL NOT BE REPRODUCED, ALTERED OR REUSED IN WHOLE OR IN PART WITHOUT THE WRITTEN PERMISSION OF THE ARCHITECT. ARCHITECTURAL DRAWINGS ARE PROTECTED BY THE U.S. GOVERNMENT COPYRIGHT LEGISLATION: COPYRIGHT 2016 RSC2 architecture + design, llc. ALL RIGHTS RESERVED.



1 OCONEE COUNTY MAP
N.T.S.
SIGN 'B' LOCATION
HMY II - SOUTH

SIGN 'C' LOCATION
HMY II - NORTH

SIGN 'A' LOCATION
HMY 123



SIGN 'A' LOCATION



SIGN 'A' LOCATION

2 SIGN 'A' SITE
N.T.S.



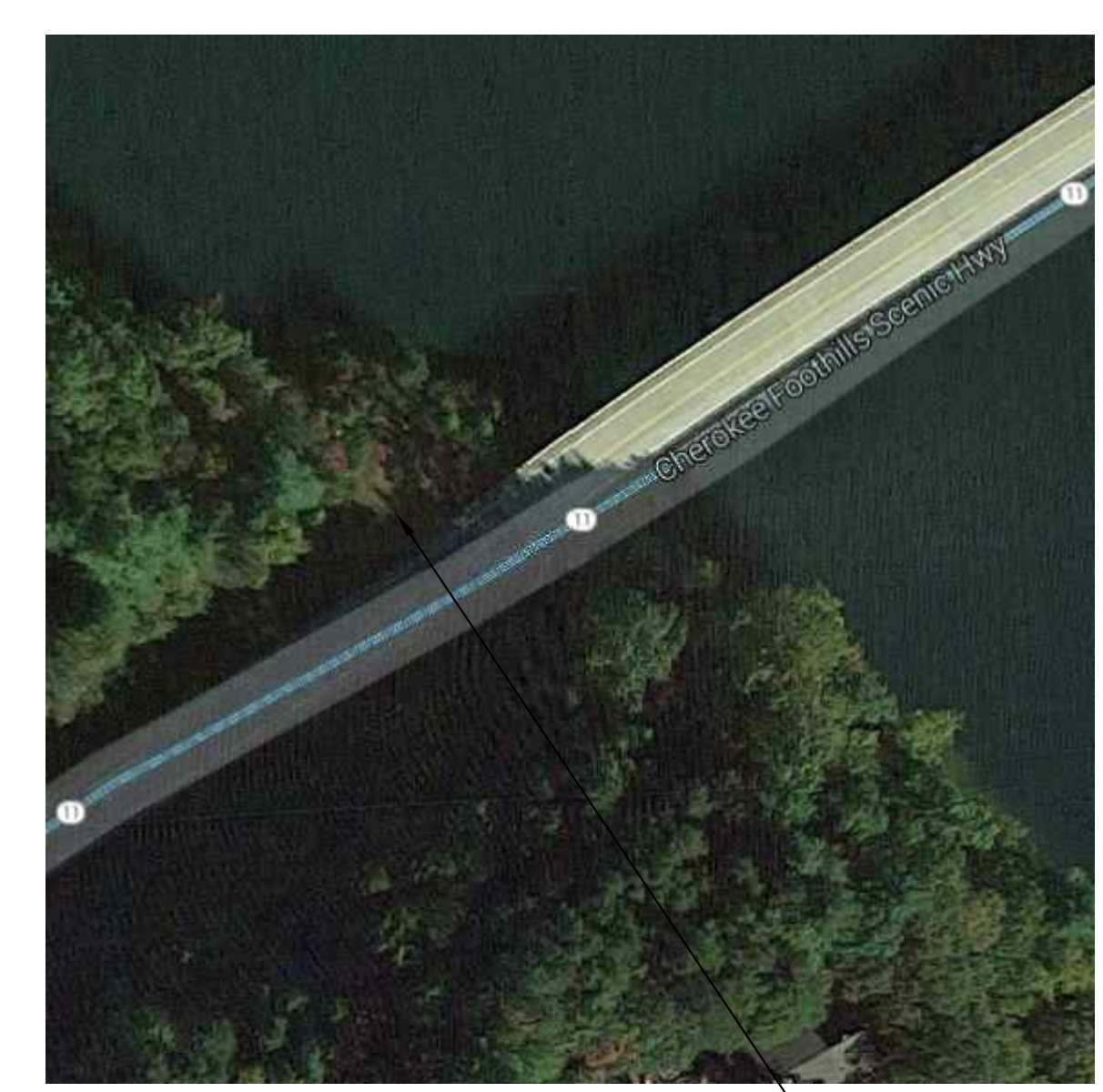
SIGN 'B' LOCATION



SIGN 'B' LOCATION

3 SIGN 'B' SITE
N.T.S.

GENERAL NOTE:
EXACT SIGNAGE LOCATIONS TO BE COORDINATED
WITH OCONEE COUNTY OFFICIAL AND ARCHITECT.



SIGN 'C' LOCATION

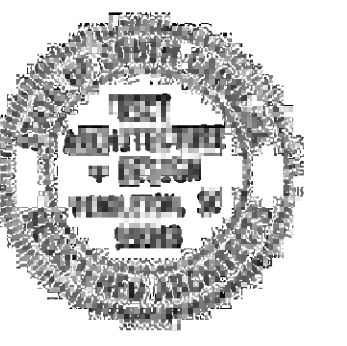


SIGN 'C' LOCATION

4 SIGN 'C' SITE
N.T.S.

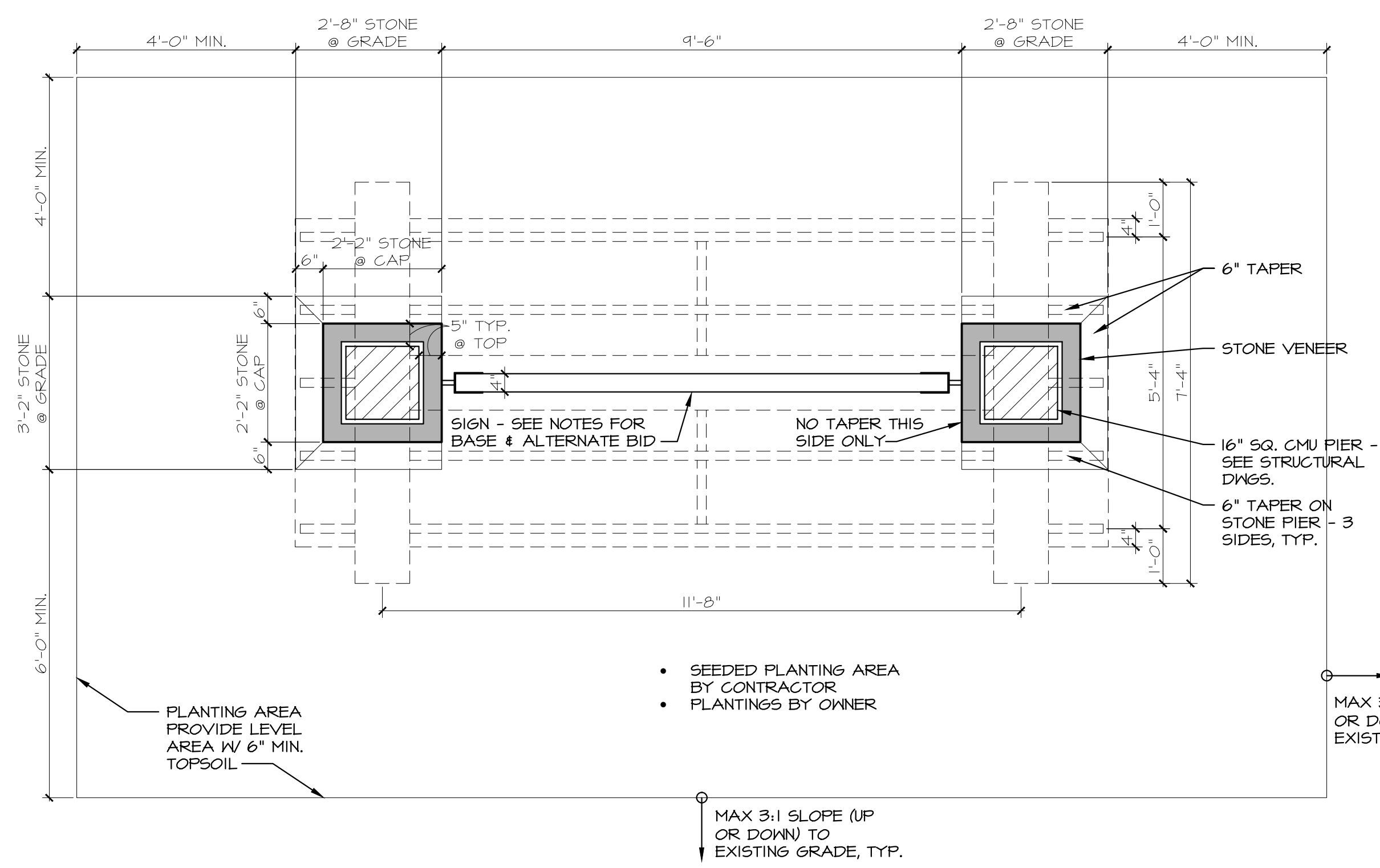
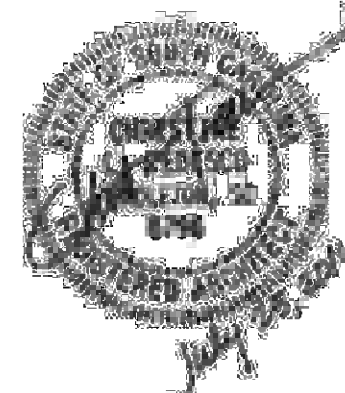


CHRISTINE TEDESCO, RA, NCARB
1376 TIGER BLVD, SUITE 114
CLEMSON, SC 29631
864.303.8158

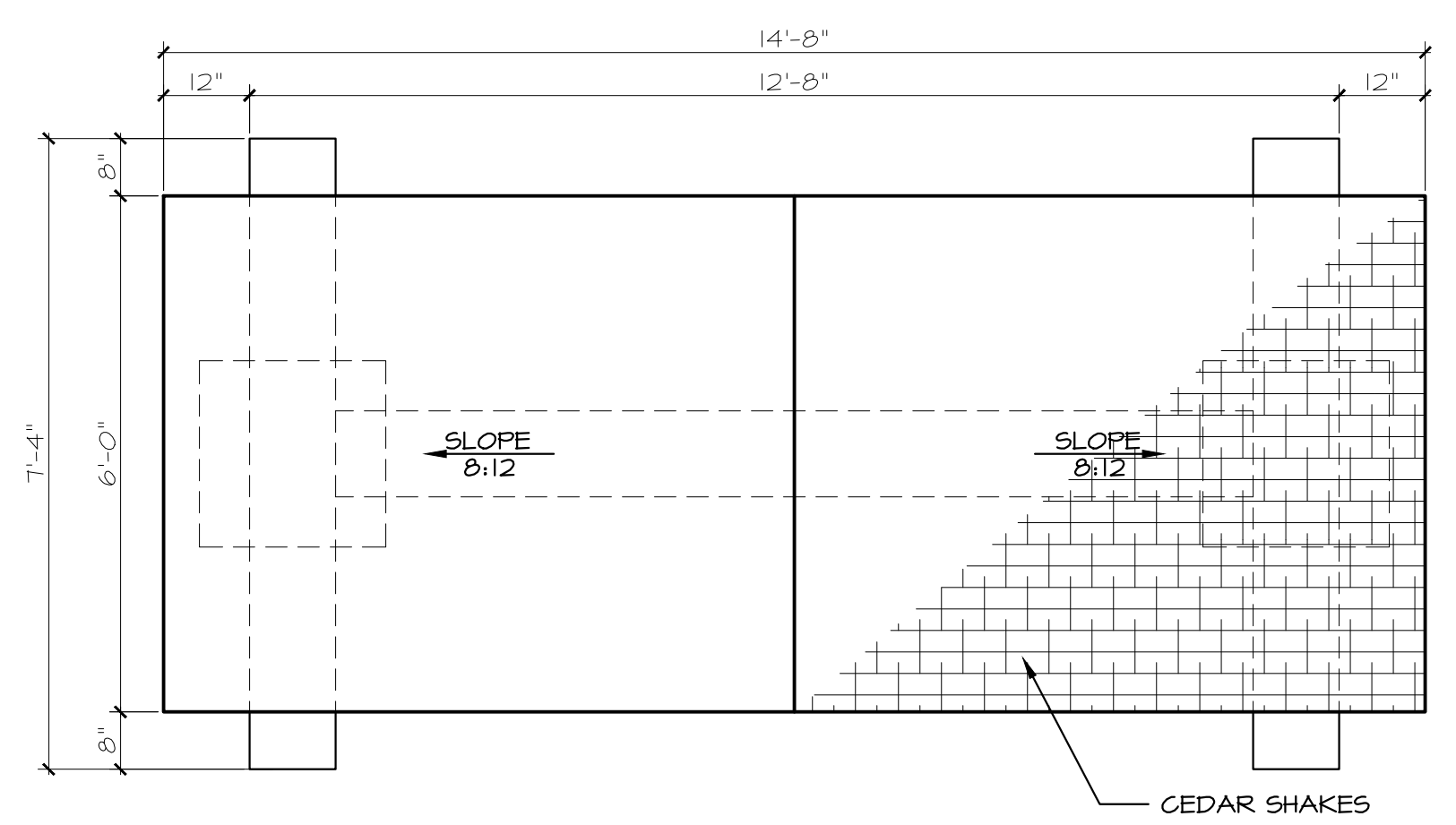


SIGNAGE LOCATIONS

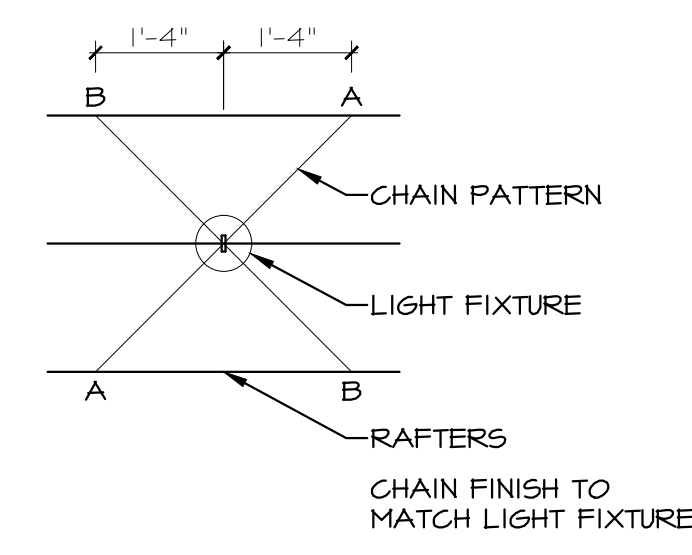
OCONEE ECONOMIC ALLIANCE
GATEWAY SIGNAGE
OCONEE COUNTY, SOUTH CAROLINA



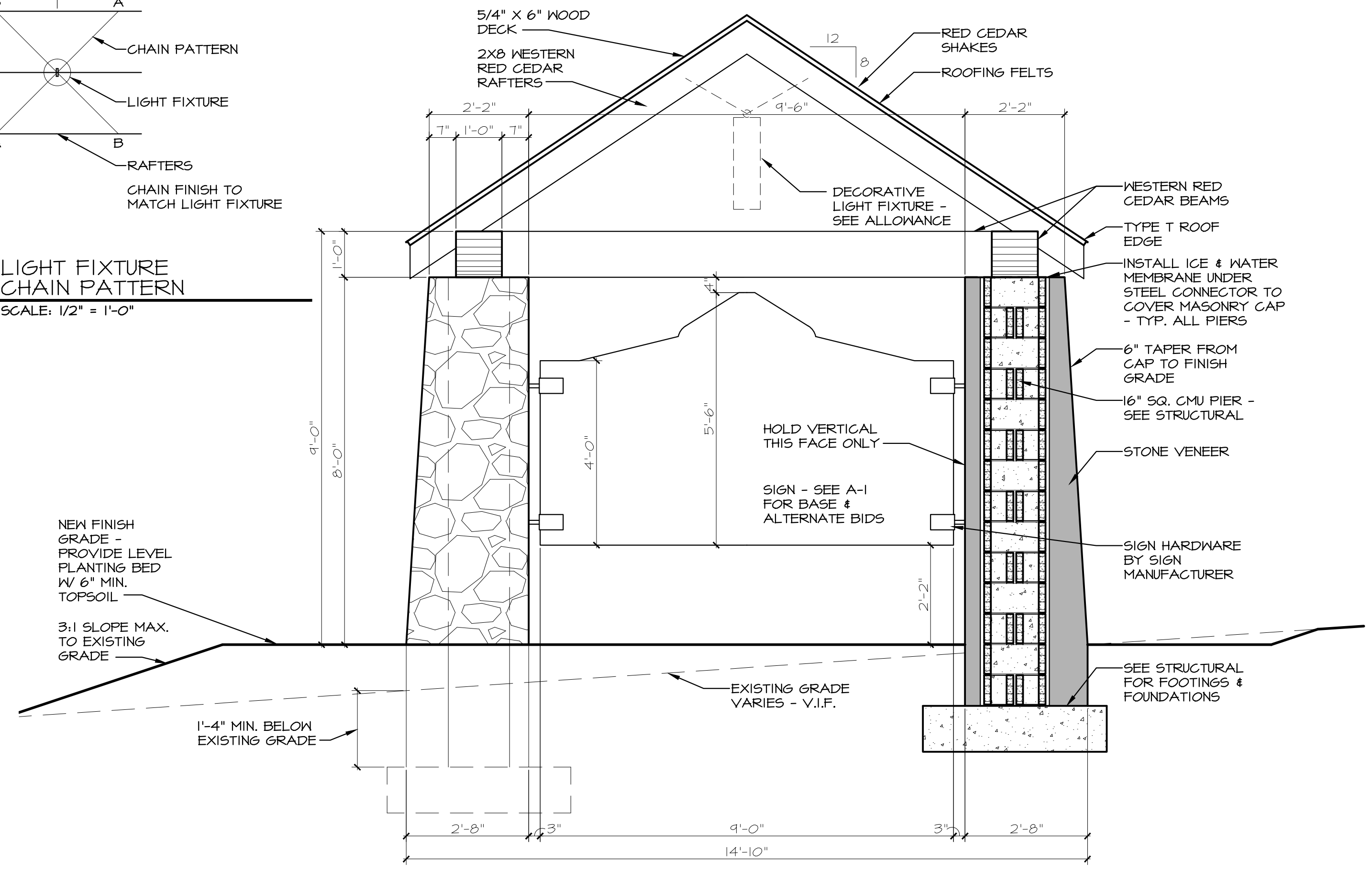
1 PLAN
SCALE: 1/2" = 1'-0"



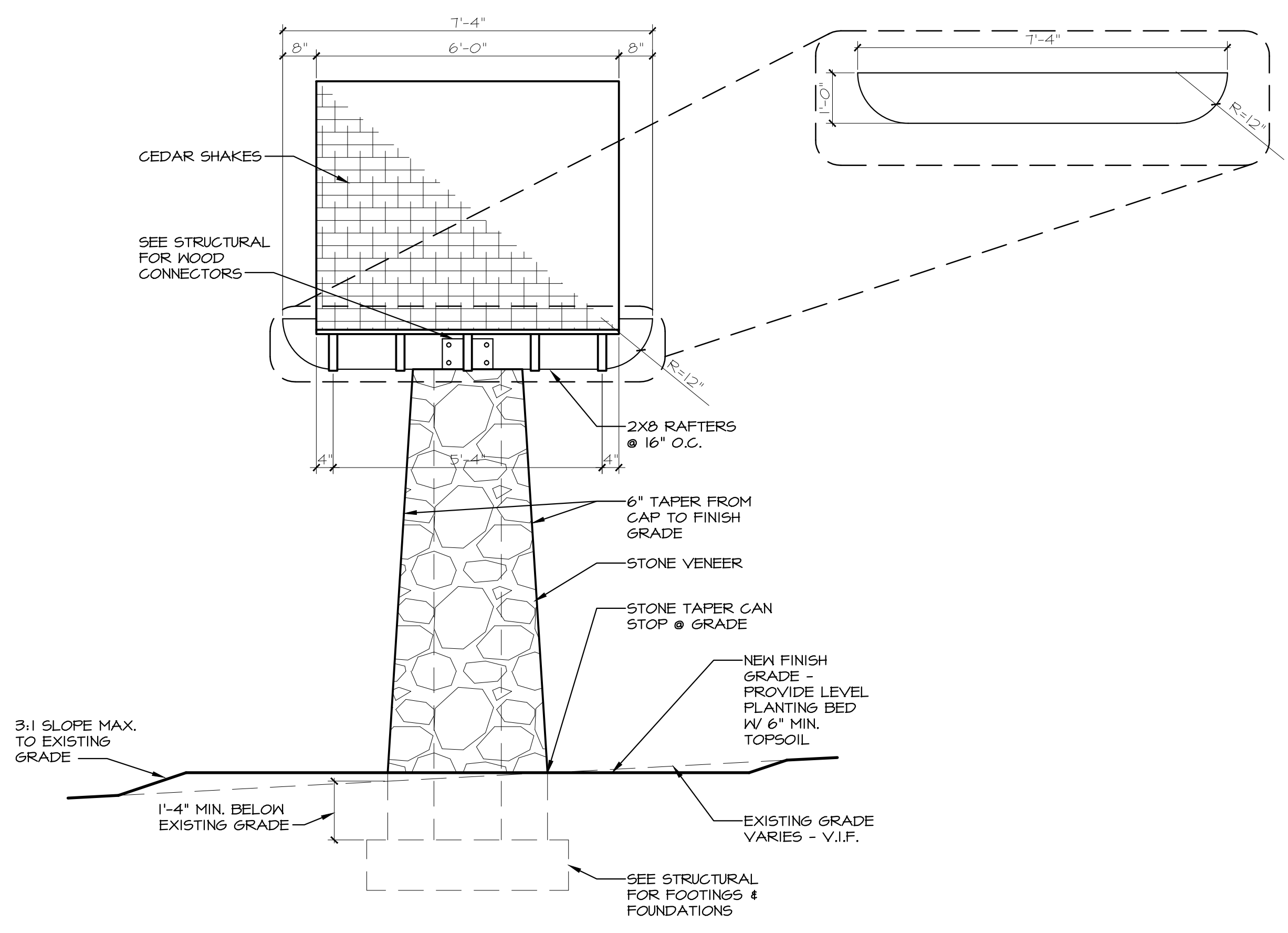
2 ROOF PLAN
SCALE: 1/2" = 1'-0"



5 LIGHT FIXTURE CHAIN PATTERN
SCALE: 1/2" = 1'-0"

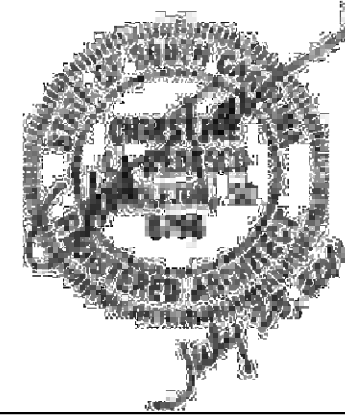


3 FRONT ELEVATION
SCALE: 1/2" = 1'-0"



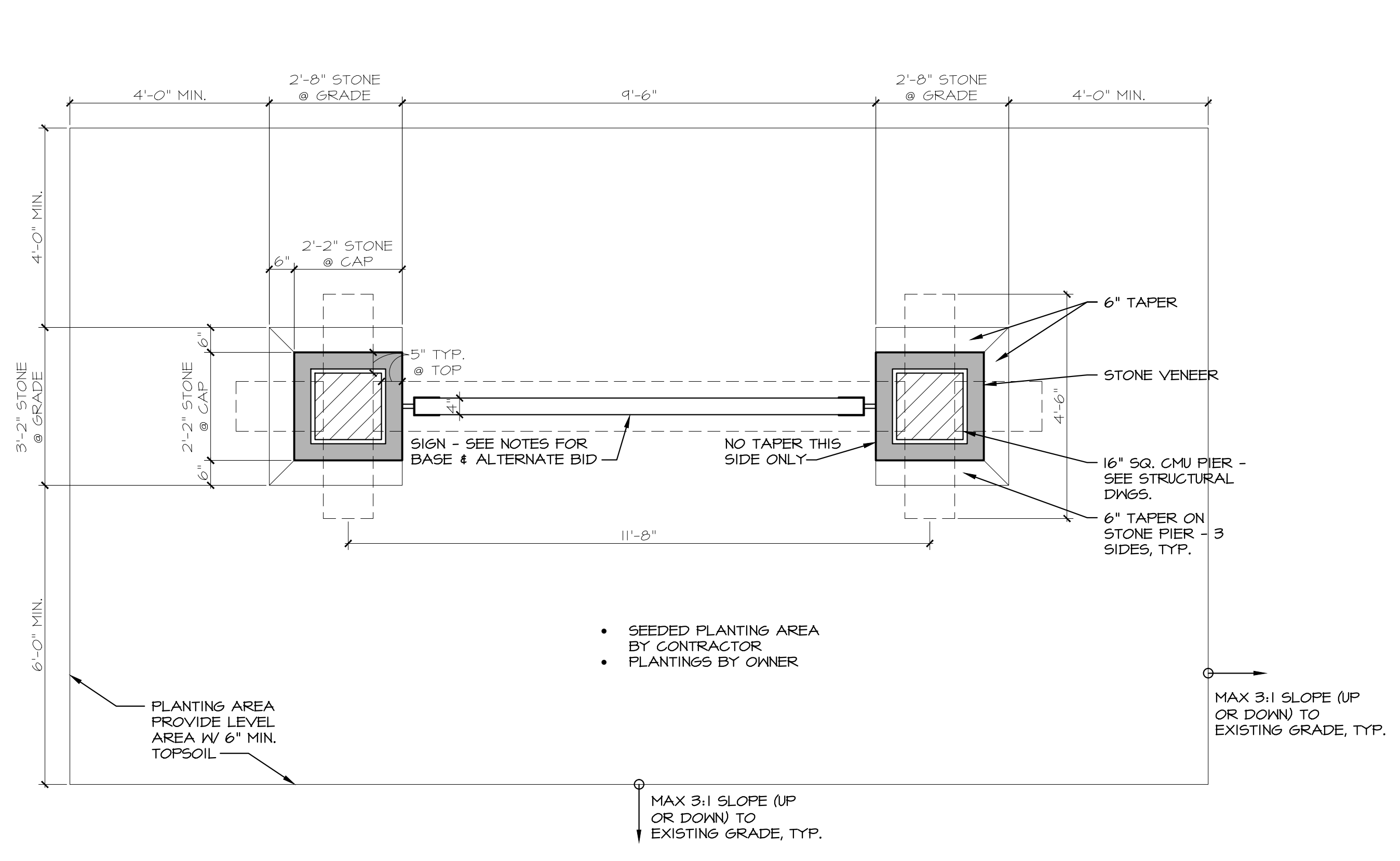
4 SIDE ELEVATION
SCALE: 1/2" = 1'-0"

THIS DRAWING IS AN INSTRUMENT OF SERVICE AND SHALL NOT BE REPRODUCED, ALTERED OR REUSED IN WHOLE OR IN PART WITHOUT THE WRITTEN PERMISSION OF THE ARCHITECT. ARCHITECTURAL DRAWINGS ARE PROTECTED BY THE U.S. GOVERNMENT COPYRIGHT LEGISLATION: COPYRIGHT 2016, RSC2 architecture + design, llc. ALL RIGHTS RESERVED.

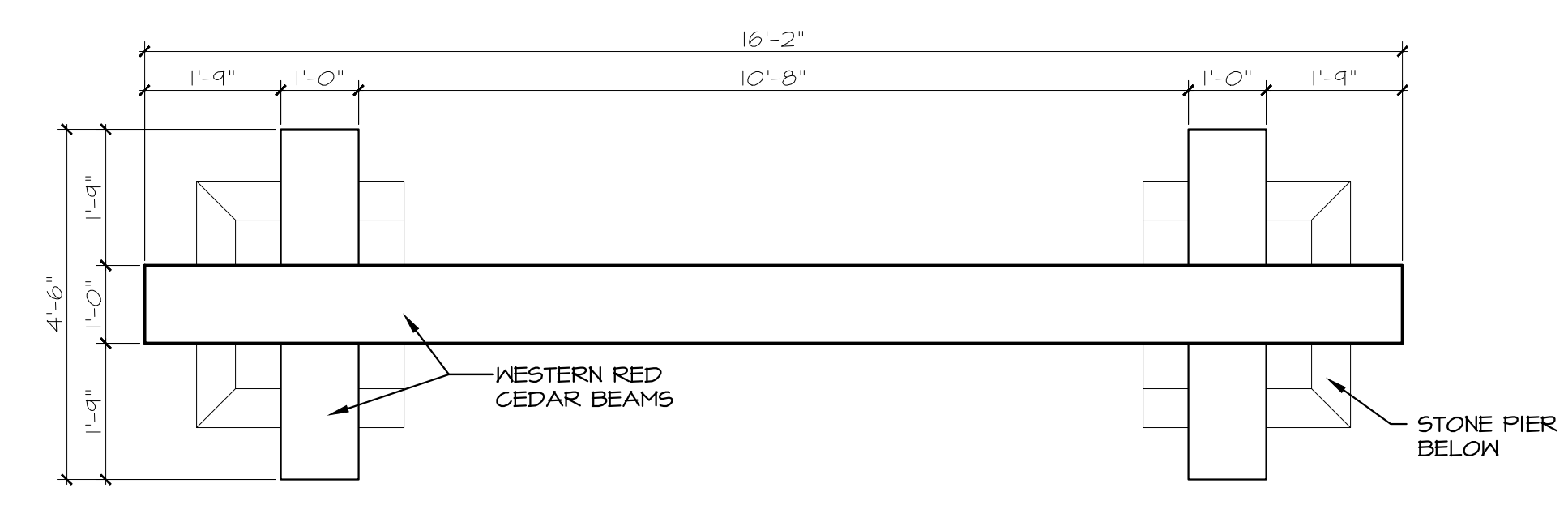


SIGN 'B' & 'C'

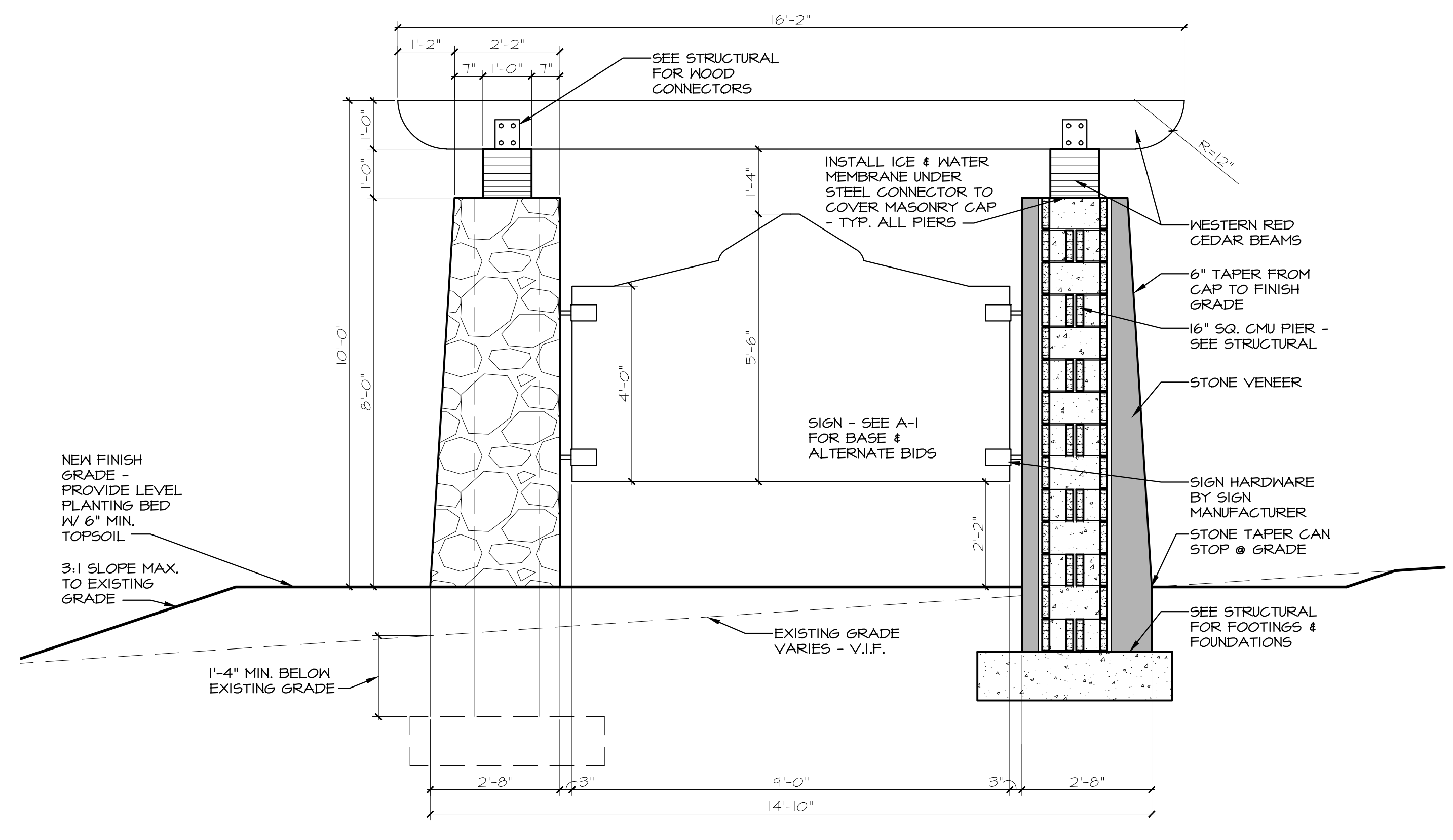
OCCONEE ECONOMIC ALLIANCE
GATEWAY SIGNAGE
OCCONEE COUNTY, SOUTH CAROLINA



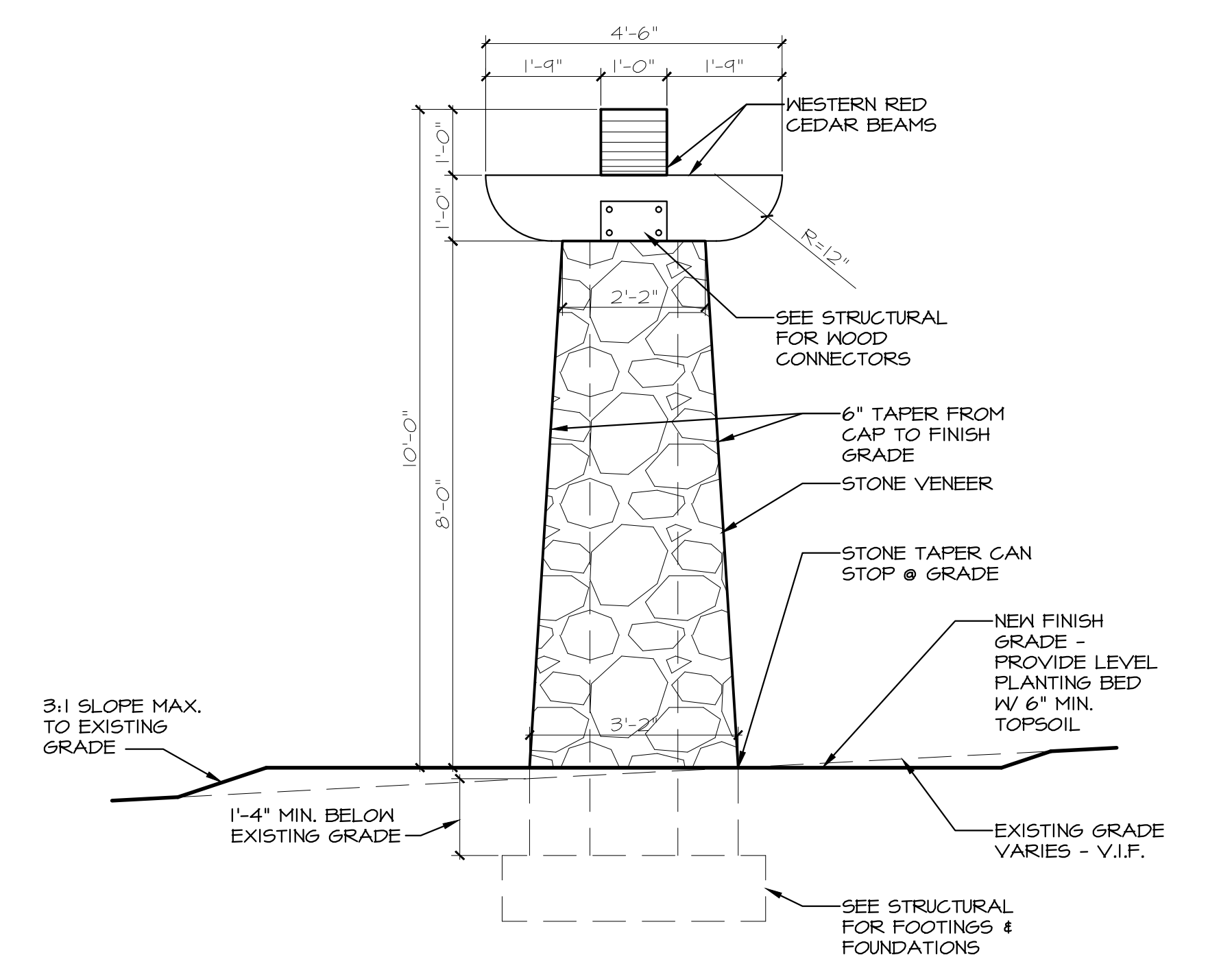
1 PLAN
SCALE: 1/2" = 1'-0"



2 'ROOF' PLAN
SCALE: 1/2" = 1'-0"



3 FRONT ELEVATION
SCALE: 1/2" = 1'-0"



4 SIDE ELEVATION
SCALE: 1/2" = 1'-0"

THIS DRAWING IS AN INSTRUMENT OF SERVICE AND SHALL NOT BE REPRODUCED, ALTERED OR REUSED IN WHOLE OR IN PART WITHOUT THE WRITTEN PERMISSION OF THE ARCHITECT. ARCHITECTURAL DRAWINGS ARE PROTECTED BY THE U.S. GOVERNMENT COPYRIGHT LEGISLATION: COPYRIGHT 2016, RSC2 architecture + design, llc. ALL RIGHTS RESERVED.

GENERAL NOTES

I. GENERAL
A. STRUCTURAL DRAWINGS SHALL BE USED IN CONJUNCTION WITH THE ARCHITECTURAL, MECHANICAL, ELECTRICAL, SHOP DRAWINGS AND SPECIFICATIONS.
B. IT IS THE GENERAL CONTRACTOR'S RESPONSIBILITY TO OBTAIN ALL CONTRACT DOCUMENTS AND LATEST ADDENDA AND TO SUBMIT TO ALL SUBCONTRACTORS AND SUPPLIERS PRIOR TO THE SUBMITTAL OF SHOP DRAWINGS.
C. THE GENERAL CONTRACTOR SHALL COMPARE ALL CONTRACT DRAWINGS AND REPORT ANY DISCREPANCY BETWEEN DISCIPLINES AND WITHIN A GIVEN DISCIPLINE TO THE ARCHITECT AND ENGINEER PRIOR TO FABRICATION AND ERECTION.
D. IF A CONFLICT EXISTS AMONG THE STRUCTURAL DRAWINGS, GENERAL NOTES, OR THE SPECIFICATIONS, THE STRICTEST REQUIREMENTS, AS INDICATED BY THE ENGINEER, SHALL GOVERN.
E. THE CONTRACTOR SHALL COORDINATE ALL ELEVATIONS AND DIMENSIONS, INCLUDING BUT NOT LIMITED TO THOSE FOR OPENINGS IN WALLS AND IN ROOF AND FLOOR SYSTEMS, WITH THE ARCHITECTURAL, PLUMBING, ELECTRICAL, AND MECHANICAL PLANS.
F. ALL DIMENSIONS, ELEVATIONS, AND ANY OTHER CONDITIONS OF ANY EXISTING STRUCTURES OR OTHER FEATURES SHALL BE VERIFIED BY THE GENERAL CONTRACTOR AND ANY DISCREPANCIES WITH THE CONTRACT DRAWINGS REPORTED TO THE ARCHITECT AND ENGINEER BEFORE PROCEEDING WITH THE AFFECTED PART OF THE WORK. DURING THE CONSTRUCTION PROCESS, IT SHALL BE SOLELY THE CONTRACTOR'S RESPONSIBILITY TO MAINTAIN THE INTEGRITY OF THE EXISTING STRUCTURE AND TO PROTECT FROM DAMAGE ANY PORTIONS THAT ARE TO REMAIN.
G. THE COMPLETED LATERAL-FORCE RESISTING SYSTEMS AND DIAPHRAGMS ARE REQUIRED FOR THE STRUCTURE TO RESIST LATERAL LOADS AND PROVIDE STABILITY UNDER GRAVITY LOADS. DURING THE CONSTRUCTION PROCESS, THE CONTRACTOR SHALL PROVIDE ALL REQUIRED BRACING DURING CONSTRUCTION TO MAINTAIN THE STABILITY AND SAFETY OF ALL STRUCTURAL ELEMENTS UNTIL THE LATERAL-LOAD RESISTING OR STABILITY-PROVIDING SYSTEM IS COMPLETELY INSTALLED AND THE STRUCTURE IS COMPLETELY TIED TOGETHER.
H. UNLESS OTHERWISE NOTED, DETAILS SHOWN ON ANY DRAWING ARE TO BE CONSIDERED TYPICAL FOR ALL SIMILAR CONDITIONS.
I. THE CONTRACTOR SHALL BE SOLELY RESPONSIBLE FOR ALL CONSTRUCTION MEANS AND METHODS AND FOR SAFETY PRECAUTIONS AND PROGRAMS.
J. BRITT, PETERS & ASSOCIATES, INC. SHALL NOT BE RESPONSIBLE FOR THE ACTS OR OMISSION OF THE CONTRACTOR OR FOR THEIR FAILURE TO CARRY OUT THE WORK IN ACCORDANCE WITH THE CONTRACT DOCUMENTS.
K. PERIODIC SITE OBSERVATION BY BRITT, PETERS & ASSOCIATES, INC. IS SOLELY FOR THE PURPOSE OF DETERMINING IF THE WORK OF THE CONTRACTOR IS PROCEEDING IN ACCORDANCE WITH THE STRUCTURAL CONTRACT DOCUMENTS AND IS NOT EXHAUSTIVE OR CONTINUOUS TO CHECK THE QUALITY OR QUANTITY OF THE WORK.
L. THE BUILDING OWNER SHALL PROVIDE PERIODIC MAINTENANCE TO INSURE STRUCTURAL INTEGRITY. SUCH MAINTENANCE SHALL INCLUDE BUT NOT LIMITED TO PAINTING OF STEEL, PROTECTIVE COATING FOR CONCRETE, SEALANTS, CAULKED JOINTS, EXPANSION JOINTS, CONTROL JOINTS, SPALLS AND CRACKS IN CONCRETE, AND PRESSURE WASHING OF EXPOSED STRUCTURAL ELEMENTS.

II. DESIGN CRITERIA

Table with 2 columns: CATEGORY and UNIFORM LOAD (PSF). Rows include DEAD LOADS (INSULATION & ROOFING: 10 PSF), LIVE LOADS (ORDINARY ROOF: 20), and DESIGN SNOW LOAD (GROUND SNOW LOAD: PG 10 PSF, SLOPED ROOF SNOW LOAD: PF 8 PSF, etc.).

Table with 2 columns: CATEGORY and INTERNAL PRESSURE COEFF. Rows include DESIGN WIND LOAD (BASIC WIND SPEED: Vult/Vnom 115/93 MPH (3 SECOND GUST), RISK CATEGORY: II, EXPOSURE: C, INTERNAL PRESSURE COEFF: GCPI +/-0.00).

ULTIMATE COMPONENTS AND CLADDING WIND LOADS:

Table titled 'Design Wind Pressure (psf):' with columns for Wall, Roof, and Effective Wind Area (sqft). Rows show interior and edge pressures for various areas (Area 4, Area 5, Area 1, Area 2, Area 3).

CORNER AND EDGE ZONES ARE 5.0 FEET WIDE.
F. SEISMIC LOAD
SHORT PERIOD SPECTRAL RESPONSE ACCELERATION, SS 0.280
1-SEC PERIOD SPECTRAL RESPONSE ACCELERATION, S1 0.106
SHORT PERIOD DESIGN SPECTRAL RESPONSE ACCELERATION, SDS 0.294
1-SEC PERIOD DESIGN SPECTRAL RESPONSE ACCELERATION, SD1 0.168
RISK CATEGORY II
SEISMIC DESIGN CATEGORY C
SITE CLASS D
BASIC SEISMIC-FORCE RESISTING SYSTEM ORDINARY REINFORCED MASONRY SHEAR WALLS
RESPONSE MODIFICATION FACTOR, R 2.0
DEFLECTION AMPLIFICATION FACTOR, CD 2
SYSTEM OVER-STRENGTH FACTOR, O 2.5
SEISMIC IMPORTANCE FACTOR, IE 1.0
SEISMIC RESPONSE COEFFICIENT, Cs 0.147
ANALYSIS PROCEDURE, EQUIVALENT LATERAL FORCE
DESIGN BASE SHEAR, V 0.3 KIPS
G. THE CONTRACTOR SHALL VERIFY ALL MECHANICAL EQUIPMENT WEIGHTS, LOCATIONS AND ASSOCIATED OPENINGS WITH THE MECHANICAL CONTRACTOR AND SUBMIT SUCH INFORMATION PRIOR TO FABRICATION OF THE SUPPORTING STRUCTURE. PROMPTLY NOTIFY THE ENGINEER IF THE ACTUAL WEIGHT EXCEEDS THE WEIGHT SHOWN ON THE STRUCTURAL DRAWINGS.

H. PROVISIONS SHALL BE MADE IN THE DETAILING, FABRICATION, AND ERECTION OF ALL CLADDING, PARTITIONS, WALLS, ETC. TO ACCOUNT FOR FLOOR TO FLOOR DEFLECTIONS AND LATERAL FRAME DEFLECTION.

III. FOUNDATIONS
A. AN ALLOWABLE BEARING CAPACITY OF 2,000PSF HAS BEEN ASSUMED AND SHALL BE CONFIRMED BY A QUALIFIED SOILS ENGINEER PRIOR TO PLACEMENT OF CONCRETE.
B. ALL SOILS WORK, INCLUDING BACKFILL OF UTILITY TRENCHES AND THE VERIFICATION OF BEARING CAPACITY OF FILL SHALL BE UNDER THE DIRECTION OF A QUALIFIED SOILS ENGINEER. PROXIMITY OF UTILITY TRENCHES TO BUILDING FOUNDATION SYSTEM SHALL BE AS APPROVED BY THE SOILS ENGINEER TO INSURE INTEGRITY OF THE BEARING SOILS.
C. ALL FOOTINGS SHALL BEAR ON UNDISTURBED EARTH OR ENGINEERED FILL AT ELEVATIONS SHOWN ON PLANS AND DETAILS. FLOOR SLABS SHALL BEAR ON 4 INCHES OF COMPACTED STONE. THE MOISTURE RETARDER SHALL BE PLACED BETWEEN THE STONE AND THE SLAB.
D. NO FOUNDATION CONCRETE SHALL BE INSTALLED UNTIL ALL FOUNDATION WORK HAS BEEN COORDINATED WITH UNDERGROUND UTILITIES. THE CONTRACTOR SHALL NOTIFY THE ENGINEER OF RECORD OF ALL CONFLICTS THAT EXIST BETWEEN FOOTINGS AND UTILITIES.
E. ALL FOUNDATIONS OR PORTIONS THEREOF, BELOW GRADE MAY BE EARTH FORMED BY NEAT EXCAVATIONS.
F. UNLESS OTHERWISE SHOWN, ALL FOOTINGS SHALL BE CENTERED ON WALLS AND/OR COLUMNS.
G. THE CONTRACTOR SHALL DETERMINE THE EXTENT OF CONSTRUCTION DEWATERING REQUIRED FOR THE EXCAVATION. THE CONTRACTOR SHALL SUBMIT TO THE GEOTECHNICAL ENGINEER FOR REVIEW THE PROPOSED PLAN FOR CONSTRUCTION DEWATERING, PRIOR TO EXCAVATION.
H. FOOTINGS SHALL NOT BE PLACED ON FROZEN SUBGRADE OR IN STANDING WATER.
I. HEAVY EQUIPMENT SHOULD NOT BE ALLOWED WITHIN 8 FEET OF ANY EARTH RETAINING WALL. USE ONLY HAND OPERATED VIBRATORY COMPACTORS FOR COMPACTING BEHIND RETAINING WALLS.
J. FOUNDATION TYPE
1. SPREAD FOOTING:
a. TOTAL LOAD: 2000 PSF NET PRESSURE.

Table with 3 columns: USAGE, STRENGTH (PSI), and CONC. TYPE. Rows include ALL CONCRETE NOT OTHERWISE SPECIFIED (4000 NWT), FOOTINGS (3000 NWT), and SLAB-ON-GRADE EXTERIOR (4500 NWT).

IV. CONCRETE
A. CONCRETE SHALL CONFORM TO THE FOLLOWING REQUIREMENTS:
CONCRETE 28 DAY COMPRESSIVE STRENGTH AND DENSITY REQUIREMENTS:
USAGE STRENGTH (PSI) CONC. TYPE
a. ALL CONCRETE NOT OTHERWISE SPECIFIED 4000 NWT
b. FOOTINGS 3000 NWT
c. SLAB-ON-GRADE EXTERIOR 4500 NWT
1. NWT = NORMAL WEIGHT CONCRETE
2. ALL CONCRETE SHALL HAVE ALLOWABLE UNIT SHRINKAGE OF 0.045% AT 28 DAYS. (SEE ASTM C157)
3. ALL SLABS TO RECEIVE MOISTURE SENSITIVE FLOOR COVERINGS SHALL HAVE MAXIMUM WATER/CEMENT RATIO OF 0.45.
B. CONCRETE SHALL CONFORM TO THE FOLLOWING DURABILITY REQUIREMENTS PER ACI-318 SECTION 4.2 & 4.3:
EXPOSURE/LOCATION F0, S0, P0, C1
a. FOOTINGS F1, S0, P0, C1
b. EXTERIOR SLAB ON GRADE F1, S0, P0, C1
C. ALL CONCRETE CONSTRUCTION SHALL CONFORM TO THE CURRENT "ACI MANUAL OF CONCRETE PRACTICE".
D. PORTLAND CEMENT SHALL CONFORM TO ASTM C-150, TYPE I OR II.
E. ALL AGGREGATE FOR NORMAL WEIGHT CONCRETE SHALL MEET ASTM C 33.
F. ALL REINFORCEMENT SHALL CONFORM TO THE FOLLOWING SPECIFICATIONS:
1. ALL REINFORCING, UNO: ASTM A615 GRADE 60
G. REINFORCEMENT DETAILING:
1. REINFORCEMENT SHALL BE DETAILED AND PLACED IN ACCORDANCE WITH ACI 315.
2. DEVELOPMENT AND SPLICE LENGTHS ARE IN TENSION UNLESS OTHERWISE INDICATED AND SHALL BE AS TABULATED IN THE SPLICE LENGTH TABLE, UNLESS OTHERWISE INDICATED.
3. LAP WWR ONE CROSSWIRE SPACING PLUS 2".
4. PROVIDE CORNER BARS AT ALL FOOTINGS AND WALL INTERSECTIONS TO MATCH HORIZONTAL REINFORCING SIZE AND SPACING. AT INTERSECTIONS OF CONTINUOUS SPREAD FOOTINGS EXTEND ALL BARS TO FAR SIDE OF INTERSECTING FOOTING
5. REINFORCEMENT SHALL BE SECURELY PLACED TO PREVENT DISPLACEMENT DURING CONCRETE PLACEMENT. PROVIDE THE FOLLOWING CONCRETE COVER FOR REINFORCING, UNLESS SPECIFICALLY DETAILED OTHERWISE:
a. CAST AGAINST EARTH 3"
b. EXPOSED TO EARTH/WEATHER #6 & SMALLER 1 1/2"
#8 & SMALLER 2"
6. PROVIDE DOWELS TO MATCH REINFORCEMENT SIZE AND SPACING INDICATED FOR ALL STRUCTURAL ELEMENTS, UNLESS OTHERWISE INDICATED.
H. PROVIDE WALLS, GRADE BEAMS AND FOOTINGS SHALL BE CAST IN ALTERNATE PANELS NOT TO EXCEED 60'-0" IN LENGTH. SHEAR KEYS SHALL BE PROVIDED AT EACH CONSTRUCTION JOINT AND SHALL BE LOCATED AT 1/3 POINTS OF SPANS.
I. CONCRETE WALLS SHALL BE TEMPORARILY BRACED AGAINST EARTH PRESSURE AND OTHER FORCES UNTIL FLOOR SLABS ARE IN PLACE AND HAVE ATTAINED REQUIRED STRENGTHS.
J. PROVIDE CONTROL JOINTS IN CONCRETE CANTILEVERED RETAINING WALLS AT EQUAL INTERVALS NOT TO EXCEED 25'-0". PROVIDE EXPANSION JOINTS AT EVERY FOURTH CONTROL JOINT.
K. HORIZONTAL CONSTRUCTION JOINTS IN CONCRETE POURS SHALL NOT BE USED UNLESS SHOWN ON THE DRAWINGS. THE ARCHITECT/ENGINEER SHALL APPROVE ALL DEVIATIONS OR ADDITIONAL JOINTS IN WRITING.
L. SLABS AND BEAMS OR JOISTS SHALL BE CAST MONOLITHICALLY UNLESS OTHERWISE INDICATED.
M. CHAMFER ALL PERMANENTLY EXPOSED CONCRETE EDGES 3/4 INCH, UNO.
N. SEE ARCHITECTURAL AND MECHANICAL DRAWINGS FOR LOCATIONS OF OPENINGS AND SLEEVES IN CONCRETE WALLS AND SUPPORTED FLOORS. SPREAD REINFORCEMENT AT OPENINGS AND SLEEVES UNLESS OTHERWISE SHOWN. DO NOT CUT REINFORCEMENT. SEE TYPICAL REINFORCEMENT DETAILS FOR OPENINGS IN SLABS AND WALLS FOR ADDITIONAL REQUIREMENTS.
O. NO HOLES OR OPENINGS THROUGH FOUNDATION WALLS AND/OR FOOTINGS WITHOUT ENGINEER'S APPROVAL.
P. ALUMINUM SHALL NOT BE EMBEDDED IN ANY CONCRETE.

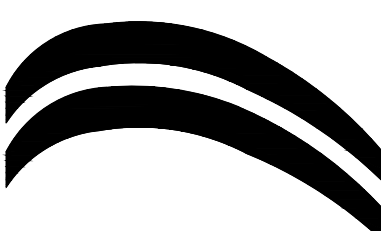
REINFORCING BAR LAP LENGTH SCHEDULE table with columns: BAR NO., 3000 PSI, 4000 PSI, 5000 PSI, 6000 PSI, 7000 PSI. Rows #3 to #11.

VALUES ABOVE ARE FOR CLASS B SPLICE, GRADE 60 REINFORCEMENT, NWT CONCRETE.
-LENGTHS SHOWN CONFORM TO NON-SEISMIC PROVISIONS OF ACI 318 FOR UNCOATED BARS ENCLOSED BY PROPERLY SPACED TIES OR STIRRUPS.
-LENGTH IN TABLE SHALL BE FACTORED FOR THE FOLLOWING CONDITIONS:
1) HORIZONTAL BARS MORE THAN 12" ABOVE BOTTOM OF CAST MEMBER: 1.3xTABLE LENGTH
2) LIGHT WEIGHT CONCRETE: 1.3xTABLE LENGTH
3) BAR CLEAR SPACING LESS THAN ONE BAR DIAMETER AND/OR BAR CLEAR COVER LESS THAN ONE BAR DIAMETER: 1.5xTABLE LENGTH
4) EPOXY COATED BARS: 1.5xTABLE LENGTH
5) WHERE MORE THAN ONE CONDITION APPLIES, ALL APPLICABLE FACTORS SHALL BE APPLIED TO LENGTH INDICATED IN TABLE.

V. MASONRY:
A. HOLLOW CONCRETE BLOCK (MASONRY) UNITS SHALL BE LIGHTWEIGHT WITH A MINIMUM COMPRESSIVE STRENGTH OF 1900 PSI ON THE NET AREA AND 1000 PSI ON THE GROSS AREA (FM = 1500PSI) AND SHALL CONFORM TO ASTM C-90.
B. ALL MORTAR FOR USE IN MASONRY SHALL CONFORM TO ASTM C-270, TYPE M OR S. ALL GROUT FOR USE IN MASONRY SHALL CONFORM TO ASTM C-476, MIN. 3000 PSI.
C. REINFORCING BARS TO MEET ASTM A-615, GRADE 60.
D. VERTICAL AND HORIZONTAL REINFORCING SHALL BE CONTINUOUS AND LAPPED A MINIMUM OF 72 BAR DIAMETERS.
E. HOLD VERTICAL BARS STRAIGHT AND TRUE AND ACCURATELY LOCATED IN WALL AS DETAILED. INSTALL REBAR POSITIONERS @ 4'-0"OC MAXIMUM THAT ARE DESIGNED TO HOLD REBAR IN PROPER LOCATION WITHIN THE GROUTED CELL.
F. PROVIDE #9 LADDER OR TRUSS TYPE JOINT REINFORCEMENT AT 16"OC FOR TYPICAL HORIZONTAL REINFORCING.
G. ALL REINFORCED MASONRY COLUMN AND WALL SECTIONS REQUIRE DOWELS FROM FOOTING, SAME SIZE AND QUANTITY AS VERTICAL REINFORCEMENT IN COLUMN OR WALL.
H. GROUT FILL ALL CELLS AND ALL WALLS BELOW GRADE. SLUSH JOINT BETWEEN WYTHES.
I. LOW-LIFT GROUTING PROCEDURES SHALL BE USED FOR ALL FILLED-CELL MASONRY CONSTRUCTION. IF HIGH-LIFT GROUTING PROCEDURES ARE FOLLOWED, PROVIDE CLEANOUTS AT EACH LOCATION.
1. GROUT POURS SHALL NOT EXCEED 5 FEET PER LIFT, UNLESS CLEANOUTS ARE PROVIDED IN THE BOTTOM COURSE OF EACH 5 FOOT LIFT.
2. MECHANICALLY VIBRATE ALL LIFTS IN EXCESS OF 1 FOOT.
3. SHALL NOT BE STOPPED WITHIN 1-1/2" OF BED JOINT.
4. TOTAL GROUT POUR SHALL NOT EXCEED 24 FEET WHEN GROUTING THE CELLS OF HOLLOW MASONRY.
K. ALL CMU TO BE LAID IN RUNNING BOND PATTERN.
L. SHORE ALL MASONRY LITELS UNTIL MASONRY AND GROUT HAVE BEEN ALLOWED TO SET FOR A MINIMUM OF 7 DAYS.
M. ALL MASONRY WALLS HAVE BEEN DESIGNED IN THE FINAL CONSTRUCTED CONFIGURATION ONLY ASSUMING FULL BRACING TOP, BOTTOM, AND/OR SIDE OF WALL. DURING CONSTRUCTION, THE CONTRACTOR SHALL BRACE ALL CMU WALLS TO RESIST ERECTION AND LATERAL LOADS THAT MAY BE APPLIED PRIOR TO COMPLETION OF CONSTRUCTION.

VI. WOOD FRAMING
A. SAWN CUT LUMBER:
1. UNLESS NOTED OTHERWISE, ALL LUMBER TO BE #2 KD WESTERN RED CEDAR WITH A MAXIMUM MOISTURE CONTENT OF 19%.
2. ALL LUMBER IN CONTACT WITH CONCRETE OR MASONRY OR EXPOSED TO THE EXTERIOR ENVIRONMENT SHALL BE PRESSURE TREATED AND SHALL BEAR THE THIRD PARTY QUALITY MARK "ABOVE GROUND USE". REFERENCE STANDARD AWPA C2 AND ASTM D1760 FOR PRESSURE TREATMENT OF WOOD PRODUCTS.
3. AS A MINIMUM, FASTEN ALL WOOD FRAMING WITH COMMON NAILS TO COMPLY WITH THE "FASTENING SCHEDULE" OF THE AFOREMENTIONED BUILDING CODE.
4. DIMBER CONNECTORS CALLED FOR ON THE DRAWINGS ARE AS MANUFACTURED BY THE SIMPSON COMPANY. CONNECTORS BY OTHER MANUFACTURERS MAY BE USED IF THE LOAD CAPACITY IS EQUAL TO OR GREATER THAN THE CONNECTOR SPECIFIED. USE MANUFACTURER'S FURNISHED NAILS AND BOLTS.
B. ROOF DECK:
1. ROOF DECKING SHALL BE #2 SOUTHERN PINE 5/4 X6 TONGUE AND GROOVE DECKING FASTENED AS REQUIRED ON THE DRAWINGS.
2. DECK BOARDS SHALL BE PRESSURE TREATED IF EXPOSED TO EXTERIOR ENVIRONMENT ON ANY SURFACE.

VII. STRUCTURAL STEEL
A. ALL HOT ROLLED STEEL PLATES, SHAPES, SHEET PILING, AND BARS SHALL BE NEW STEEL CONFORMING TO ASTM SPECIFICATION A6-98A.
B. STRUCTURAL STEEL SHALL BE AS FOLLOWS, U.N.O.:
1. ALL OTHER STRUCTURAL STEEL ASTM A36 FY = 36 KSI
C. STRUCTURAL STEEL SHALL MEET THE LATEST AISC "SPECIFICATION FOR THE DESIGN, FABRICATION AND ERECTION OF STRUCTURAL STEEL FOR BUILDINGS".
D. THE CENTERLINES OF ALL COLUMNS AND BEAMS SHALL BE LOCATED ON COLUMN LINES UNLESS OTHERWISE SHOWN.
E. CONNECTIONS:
1. BOLTS SHALL BE A325N TYPE 1, UNLESS OTHERWISE INDICATED.
2. ALL BOLTS SHALL BE SNUG TIGHT, UNLESS NOTED OTHERWISE. BOLTS SHALL BE TIGHTENED UNTIL ALL PLIES OF THE JOINT ARE IN FIRM CONTACT.
3. ANCHOR RODS SHALL CONFORM TO ASTM F1554, GRADE 36, UNLESS NOTED OTHERWISE.
4. BOLTED MOMENT CONNECTIONS SHALL BE SLIP-CRITICAL CONNECTIONS. OTHER CONNECTIONS SHALL BE BEARING CONNECTIONS WITH THREADS INCLUDED IN SHEAR PLANES.
5. WELDING SHALL CONFORM TO THE STANDARDS SET FORTH IN AWS PUBLICATION, "WELDING IN BUILDING CONSTRUCTION".
6. UNLESS NOTED OTHERWISE, ELECTRODES FOR WELDING SHALL CONFORM TO E70XX (SMAW), F70X-EXXX (SAW), E70S-X (GMAW), OR E70T-X (FCM). WELDS INDICATED "CJP" SHALL BE COMPLETE JOINT PENETRATION GROOVE WELDS. FABRICATOR SHALL PRODUCE COMPLETE JOINT PENETRATION GROOVE WELDS WHICH CONFORM TO ALL AWS D1.1 QUALIFIED WELD REQUIREMENTS AND WHICH ARE APPLICABLE TO THE SPECIFIC CONDITIONS SHOWN.
7. ALL ERECTION DRAWINGS SHALL SHOW ALL FIELD WELDS REQUIRED.
8. ALL STEEL BEAMS BEARING ON MASONRY TO HAVE MINIMUM OF 8" BEARING LENGTH.
9. CONNECTION DETAILS NOT COMPLETELY DETAILED ON THE DRAWINGS SHALL BE DESIGNED BY THE CONTRACTOR'S ENGINEER TO RESIST FORCES INDICATED ON THE DRAWINGS. INDICATED FORCES ARE BASED ON FACTORED LOADS AND ARE INTENDED FOR USE WITH THE LOAD AND RESISTANCE FACTOR DESIGN METHOD. WHERE NONE ARE INDICATED, BEAMS SHALL BE DESIGNED FOR AN END REACTION EQUAL TO 1/2 OF THE TOTAL UNIFORM LOAD CAPACITY TABULATED IN THE UNIFORM LOAD TABLES OF THE AISC MANUAL. THE CONTRACTOR SHALL EMPLOY THE ASSISTANCE OF A PROFESSIONAL ENGINEER REGISTERED IN THE STATE OF THE PROJECT. DESIGN CALCULATIONS FOR THE CONNECTIONS DESIGNED BY THE SPECIALTY ENGINEER SHALL BE SUBMITTED FOR THE FILES OF THE ARCHITECT AND ENGINEER. CALCULATIONS SHALL BEAR THE SEAL OF THE PROFESSIONAL ENGINEER REGISTERED IN THE STATE OF THE PROJECT. SHOP DRAWINGS CONTAINING CONNECTIONS FOR WHICH CALCULATIONS HAVE NOT BEEN RECEIVED WILL BE RETURNED UNCHECKED AS AN INCOMPLETE SUBMITTAL. CONNECTIONS ECCENTRICITY SHALL BE TAKEN INTO ACCOUNT WHEN DESIGNED AND DETAILING THE CONNECTION.
F. WHERE THE WORK OF OTHER TRADES REQUIRES CUTS, HOLES, ETC., IN STRUCTURAL STEEL MEMBERS, CUTS, HOLES, ETC., SHALL BE MADE IN THE SHOP AND SHALL BE SHOWN ON THE SHOP DRAWINGS. MAKING HOLES OR CUTS IN STRUCTURAL STEEL MEMBERS IN THE FIELD WILL NOT BE PERMITTED WITHOUT SPECIFIC APPROVAL OF THE ENGINEER.
G. ALL EXPOSED TO VIEW MEMBERS SHALL MEET THE REQUIREMENTS OF AISC FOR ARCHITECTURALLY EXPOSED STRUCTURAL STEEL.



BRITT PETERS AND ASSOCIATES INC.

consulting engineers
101 Falls Park Drive
Suite 601
Greenville, SC 29601
(864) 271-8869
(864) 233-5140 Fax
www.brittpeters.com
BPA Job No. 160554



GENERAL NOTES

OCONEE ECONOMIC ALLIANCE
GATEWAY SIGNAGE
OCONEE COUNTY, SOUTH CAROLINA

THIS DRAWING IS AN INSTRUMENT OF SERVICE AND SHALL NOT BE REPRODUCED, ALTERED OR REUSED IN WHOLE OR IN PART WITHOUT THE WRITTEN PERMISSION OF THE ARCHITECT. ARCHITECTURAL DRAWINGS ARE PROTECTED BY THE U.S. GOVERNMENT COPYRIGHT LEGISLATION. COPYRIGHT 2016, RSCT architecture + design, llc. ALL RIGHTS RESERVED

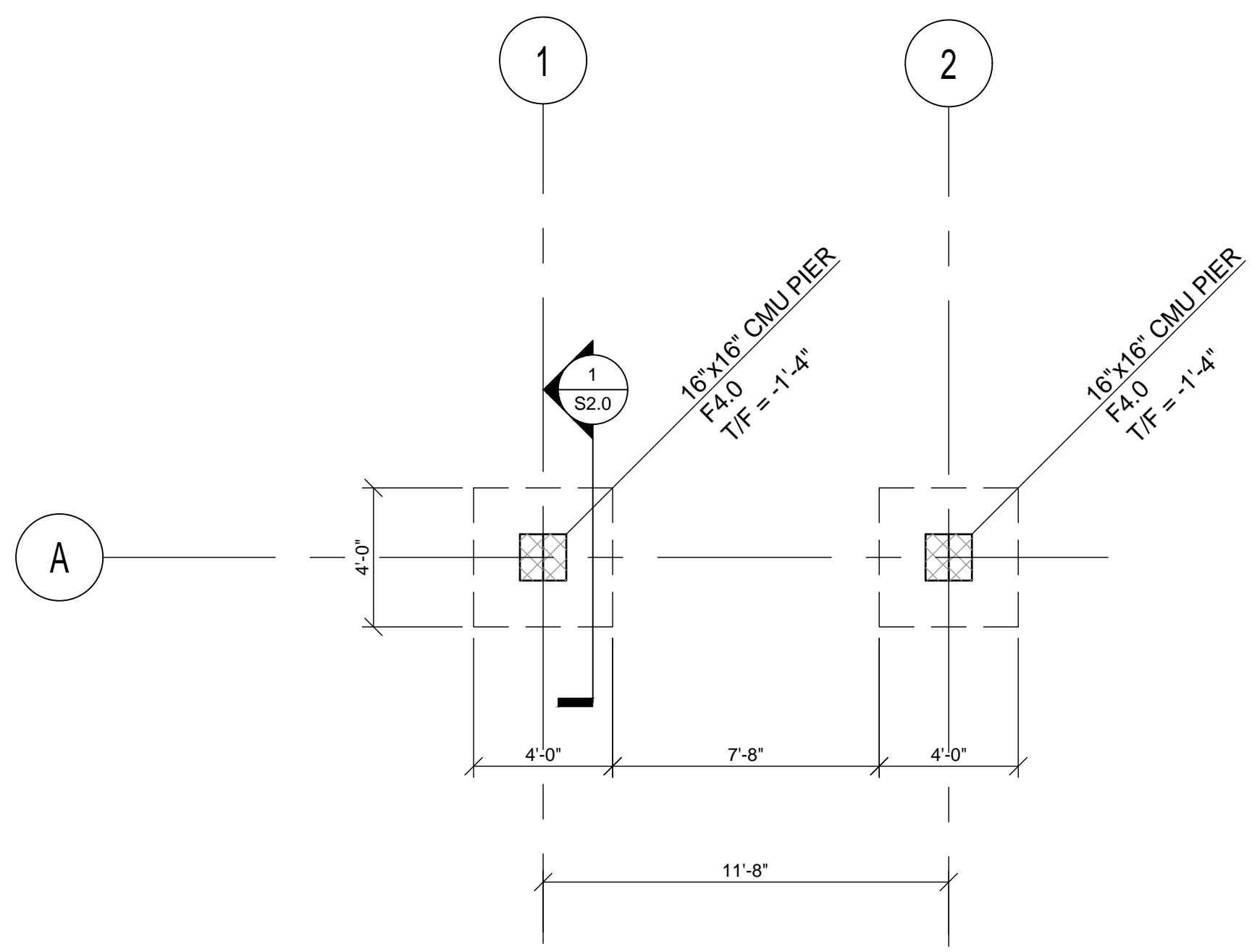
THIS DRAWING IS AN INSTRUMENT OF SERVICE AND SHALL NOT BE REPRODUCED, ALTERED OR REUSED IN WHOLE OR IN PART WITHOUT THE WRITTEN PERMISSION OF THE ARCHITECT. ARCHITECTURAL DRAWINGS ARE PROTECTED BY THE U.S. GOVERNMENT COPYRIGHT LEGISLATION. COPYRIGHT 2016. ISCT architecture + design, llc. ALL RIGHTS RESERVED



STRUCTURAL PLANS

OCONEE ECONOMIC ALLIANCE
GATEWAY SIGNAGE
OCONEE COUNTY, SOUTH CAROLINA

S1.0

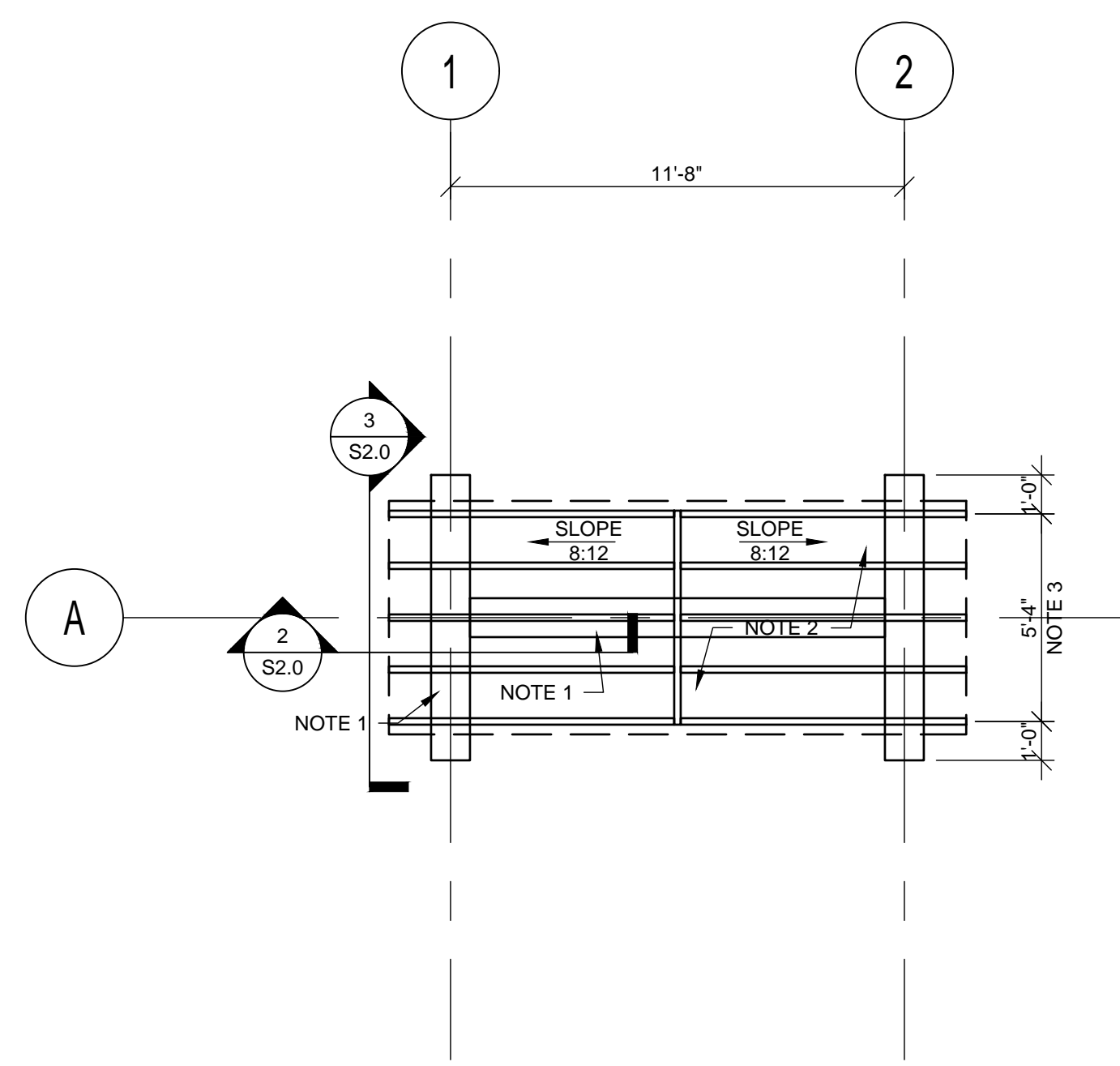


TYPICAL FOUNDATION PLAN

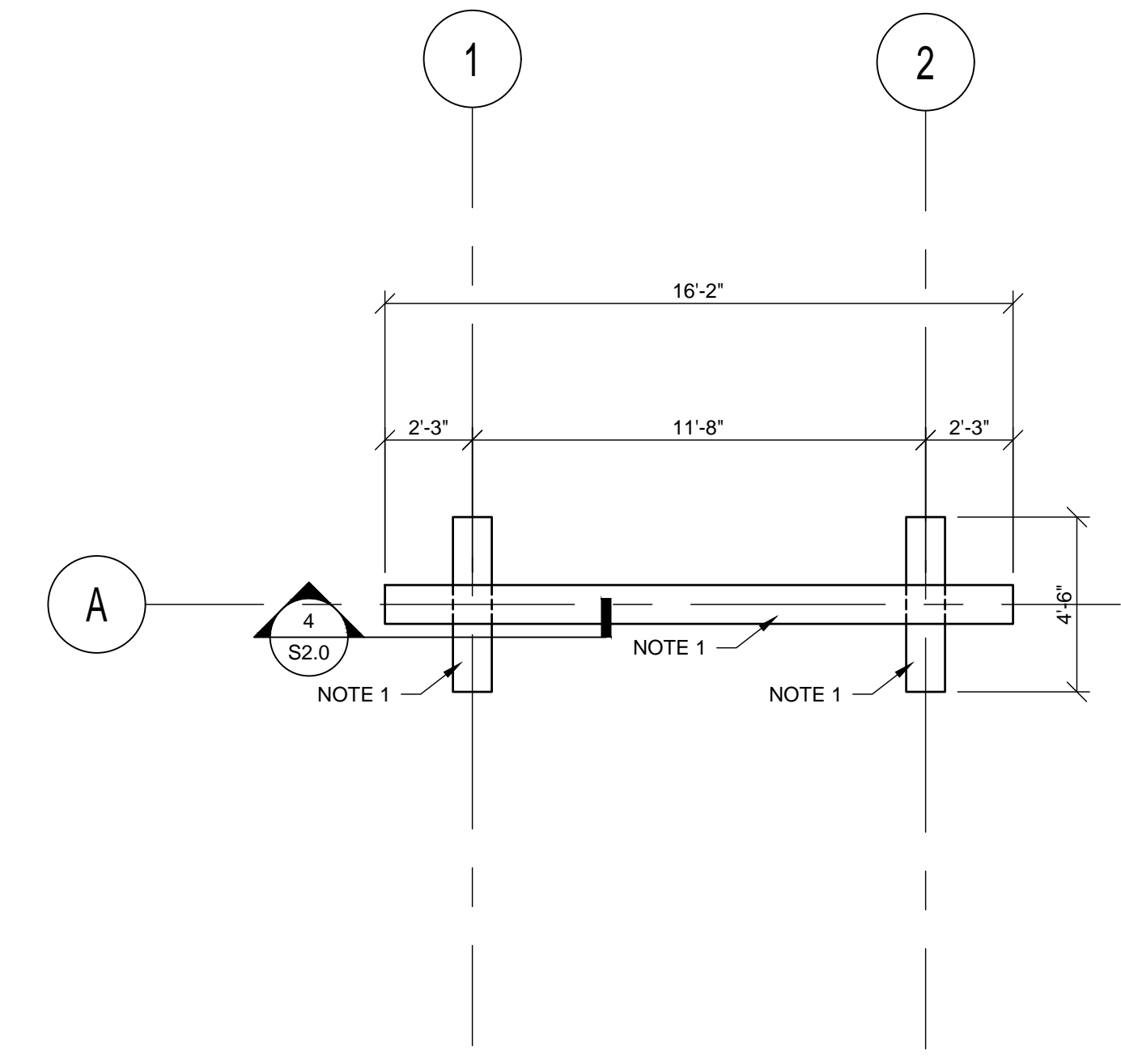
1/4" = 1'-0"
FIN. GRADE EL. = 0'-0" DATUM

NOTES:

1. DENOTES 16"x16" CMU COLUMN, REINFORCED W/ #5 EACH CELL.
2. T/F DENOTES TOP OF FOOTING ELEVATION BELOW EXISTING GRADE
3. F4.0 DENOTES 4'-0" X 4'-0" X 1'-0" THICK CONCRETE FOOTING. SEE 1/S2.0 FOR REINFORCING



SIGN 'A'



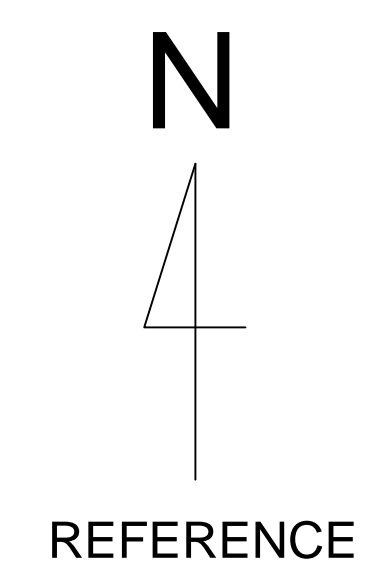
SIGN 'B'

SIGNS 'A' & 'B' FRAMING PLANS

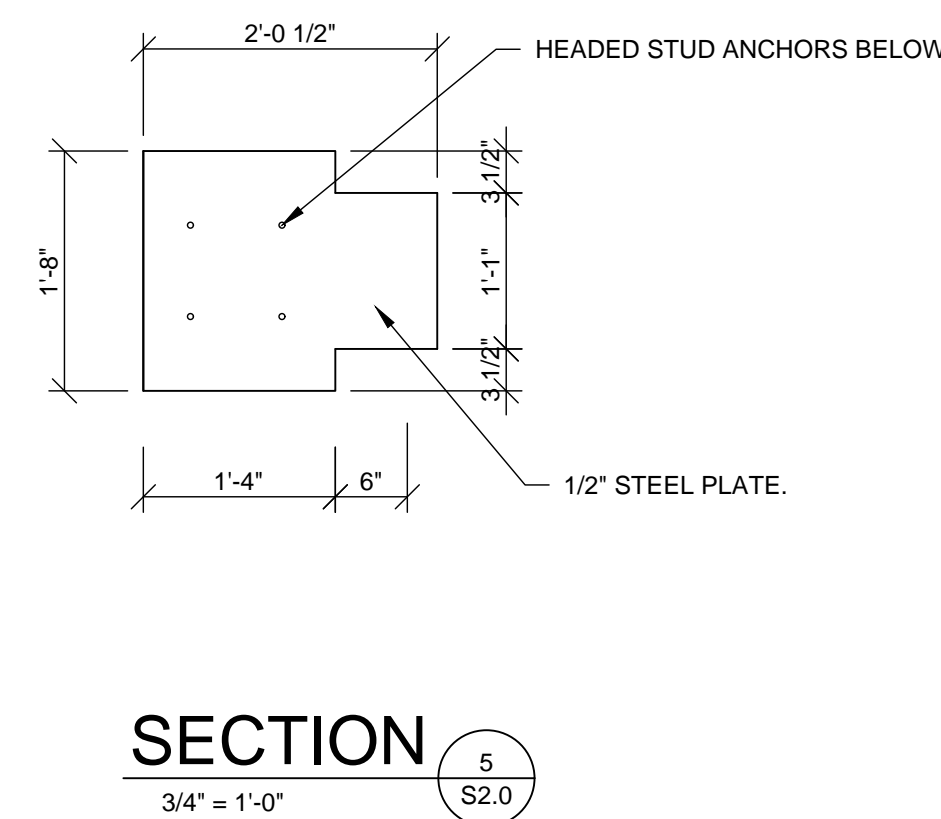
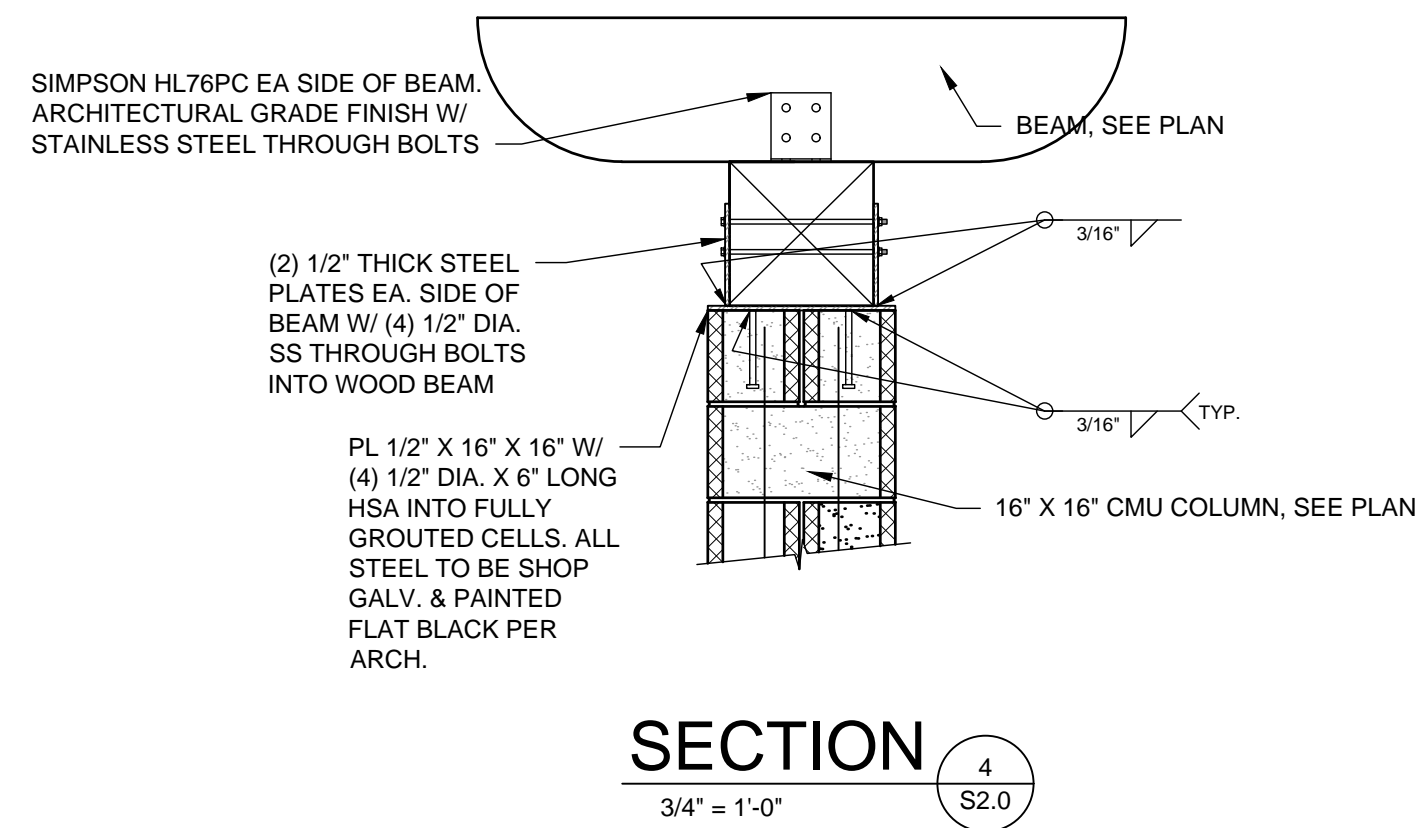
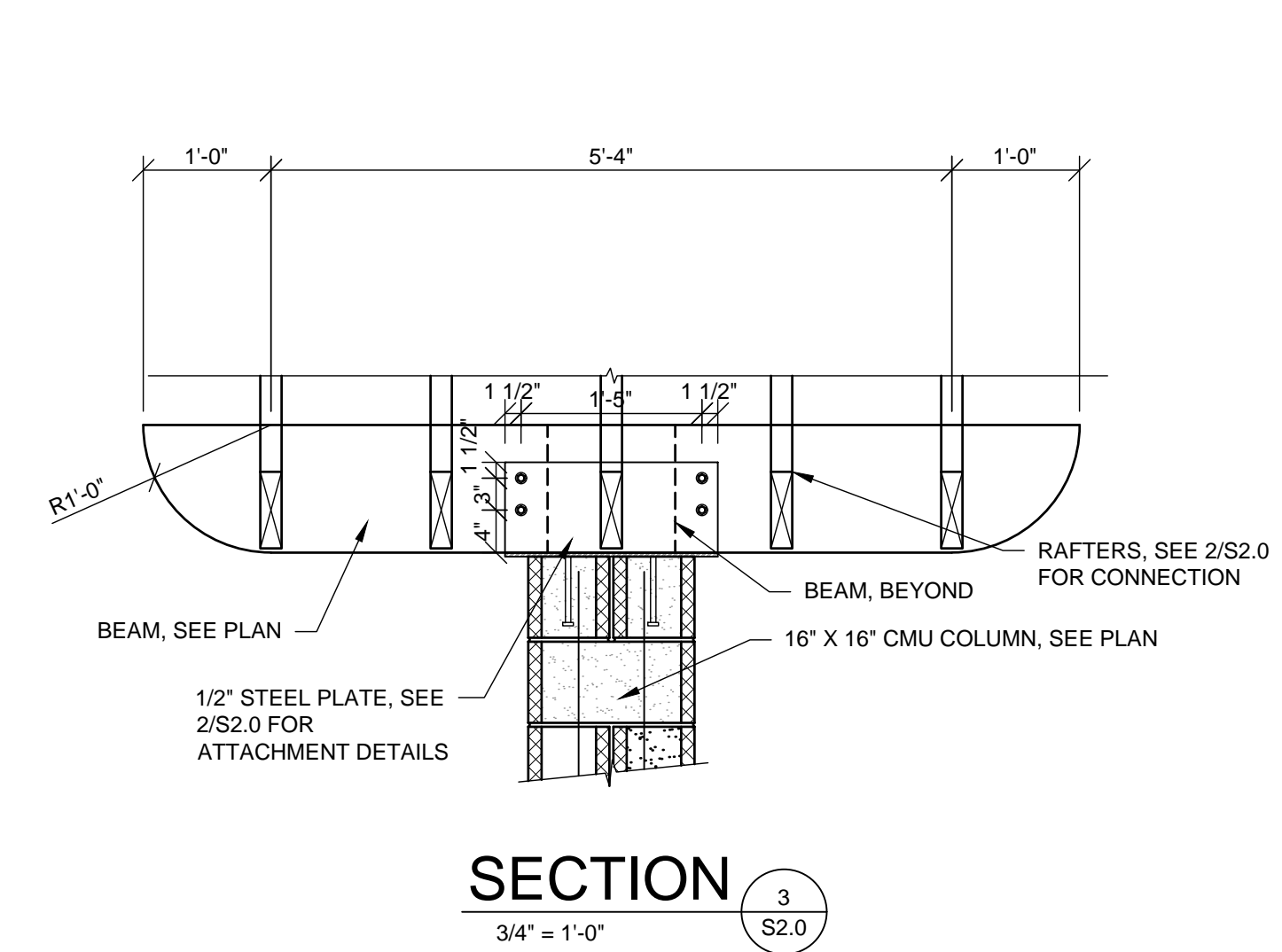
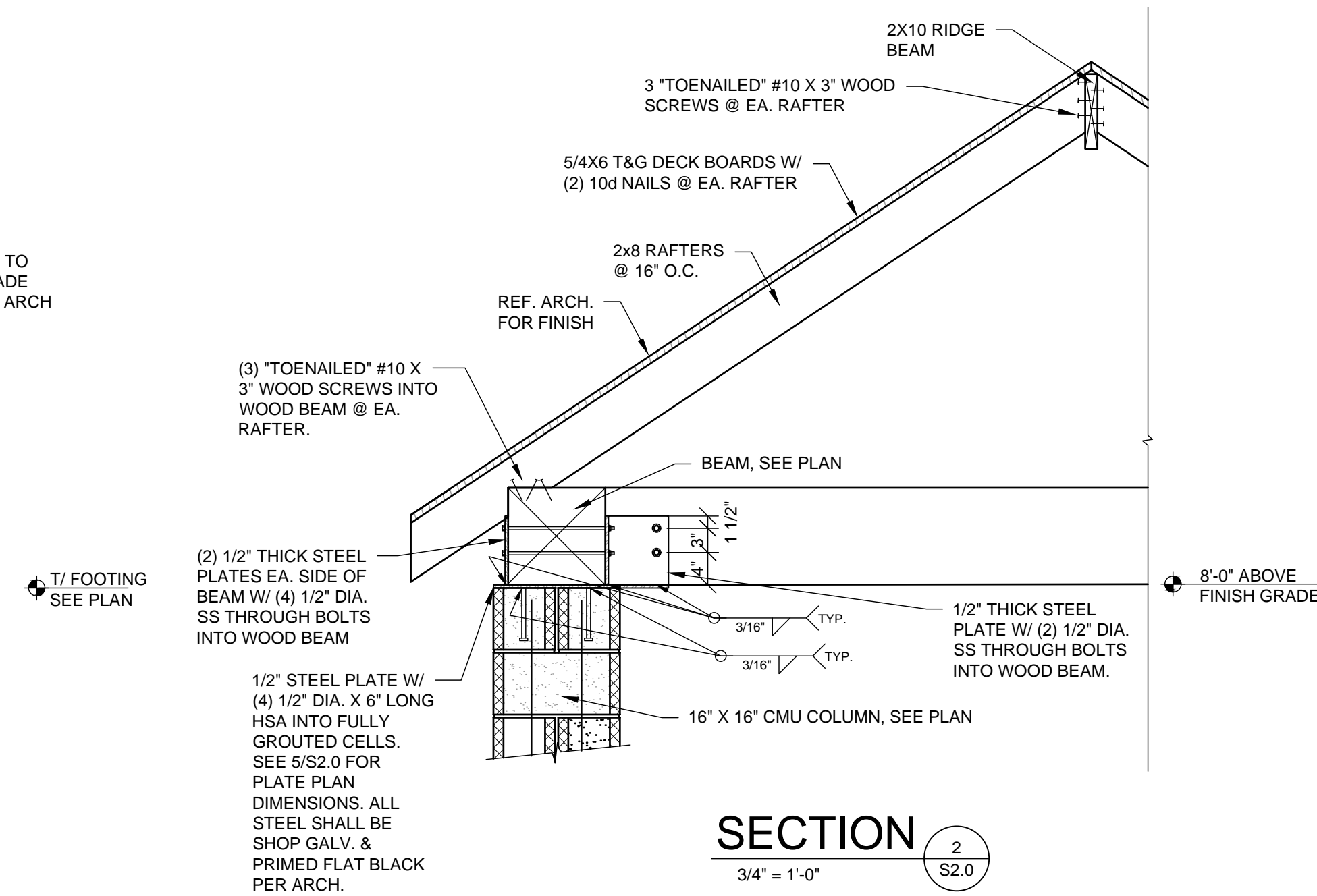
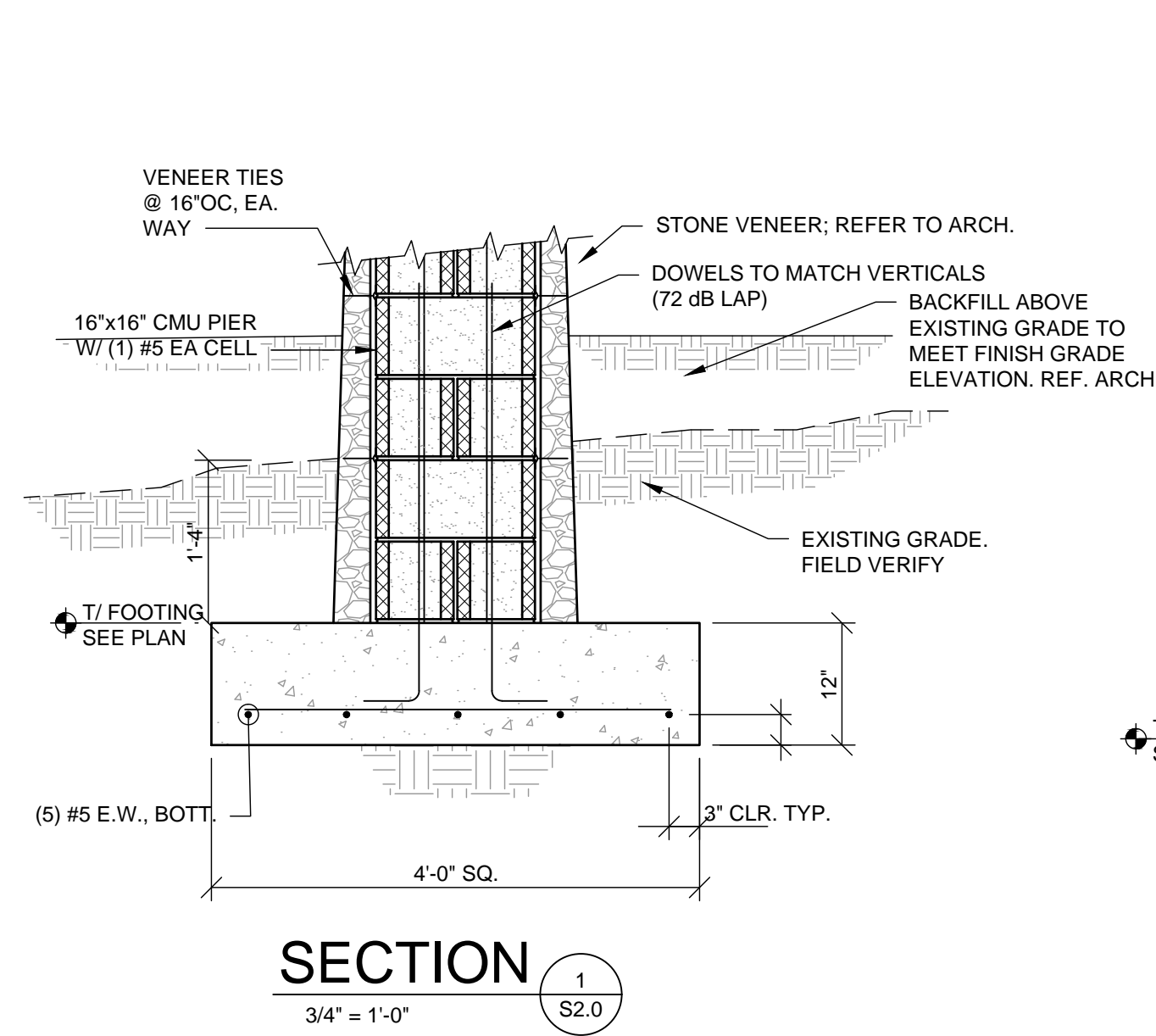
1/4" = 1'-0"

NOTES:

1. 12"x12" ROUGH SAWN BEAM, WESTERN RED CEDAR
2. T&G 5/4X6 DECK BOARDS. PT SOUTHERN PINE #2
3. 2X8 ROOF RAFTERS @ 16" O.C. WESTERN RED CEDAR



THIS DRAWING IS AN INSTRUMENT OF SERVICE AND SHALL NOT BE REPRODUCED, ALTERED OR REUSED IN WHOLE OR IN PART WITHOUT THE WRITTEN PERMISSION OF THE ARCHITECT. ARCHITECTURAL DRAWINGS ARE PROTECTED BY THE U.S. GOVERNMENT COPYRIGHT LEGISLATION. COPYRIGHT 2016, ISCT architecture + design, llc. ALL RIGHTS RESERVED



BRITT PETERS AND ASSOCIATES INC.
consulting engineers
101 Falls Park Drive
Suite 601
Greenville, SC 29601
(864) 271-8869
(864) 233-5140 Fax
www.brittpeters.com
BPA Job No. 160554



DETAILS & SECTIONS

OCONEE ECONOMIC ALLIANCE
GATEWAY SIGNAGE
OCONEE COUNTY, SOUTH CAROLINA

S2.0

ISSUED FOR CONSTRUCTION
JULY 25, 2016